

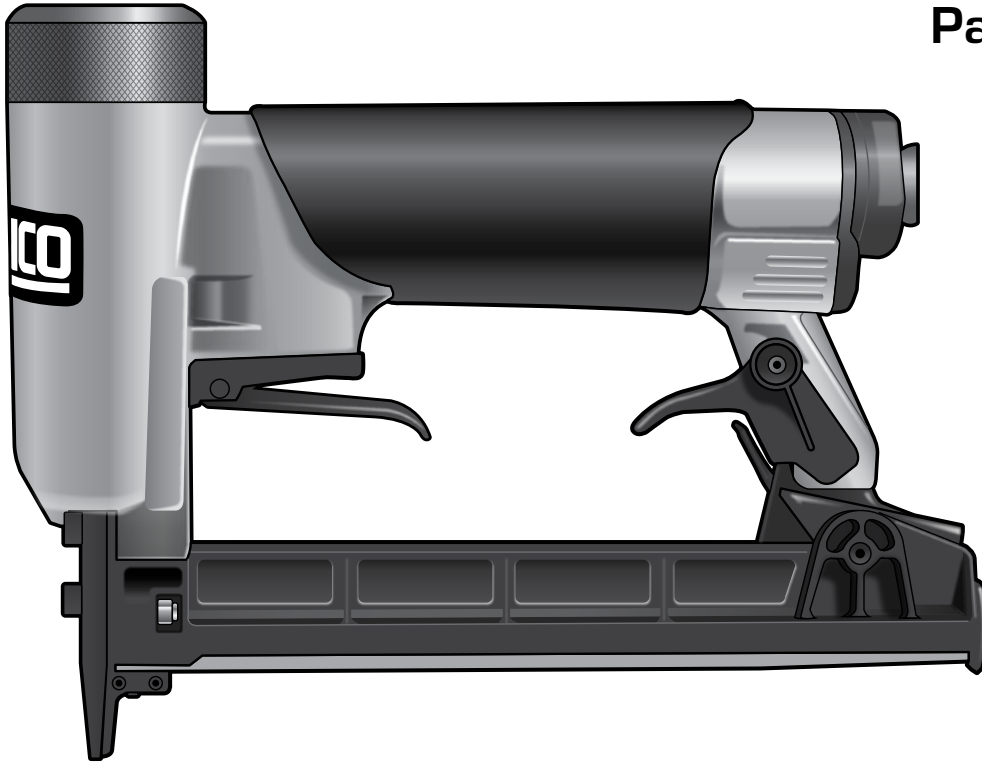


SFT10XP

Fine Wire Stapler

Parts Reference Guide
Guía de referencia de piezas
Pièces Guide de référence

Schematic Drawings Inside
Plano esquemático en el interior
Schéma intérieur



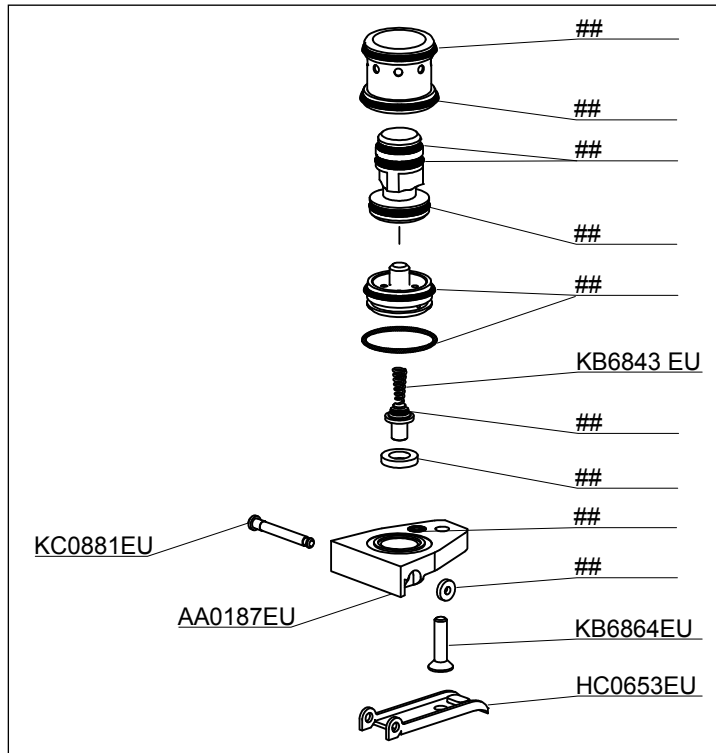
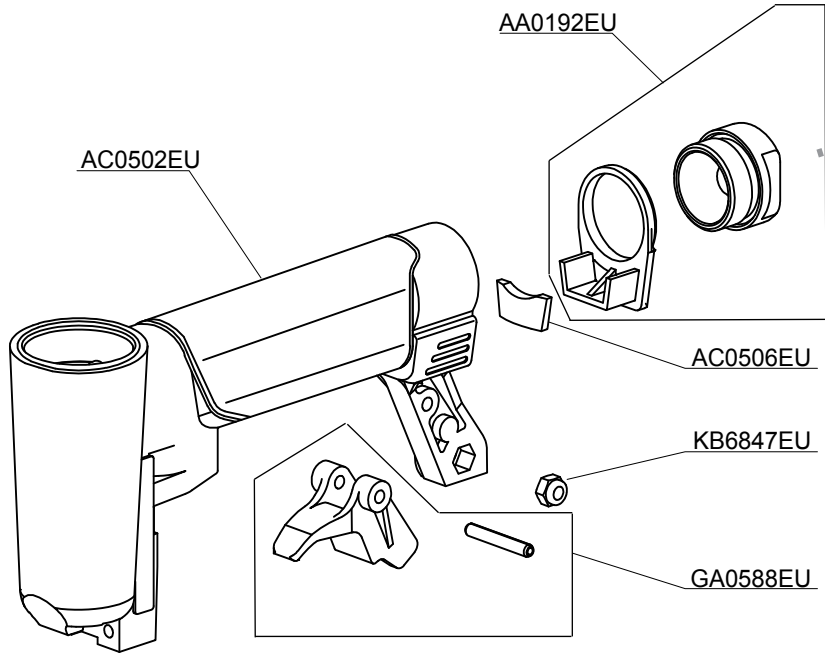
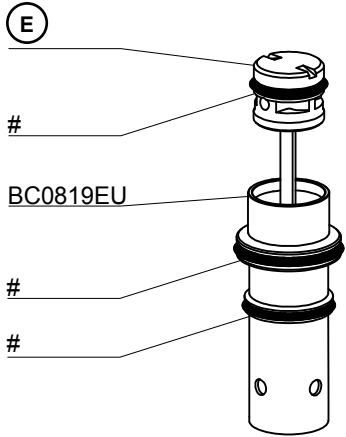
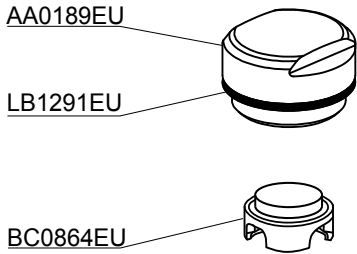
Repair Kit
YK0802EU
YK0803EU
YK0864EU

SENCO®

Senco Brands, Inc.
4270 Ivy Pointe Blvd.
Cincinnati, OH 45245
1-800-543-4596
www.senco.com
EMEA: www.senco-emea.com

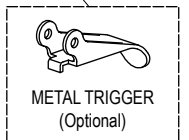
* Does Not Include O-rings
 * No incluye sellos de gomas
 * Joints exclus

Contents of YK0802EU Kit
 ## Contents of YK0803EU Kit
 E-Wire Safety - YK0864EU Kit



HA0251EU

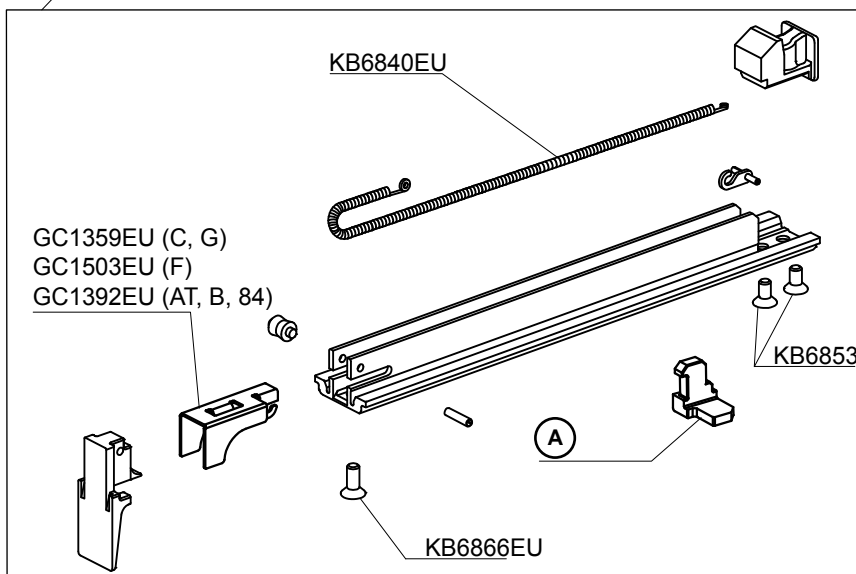
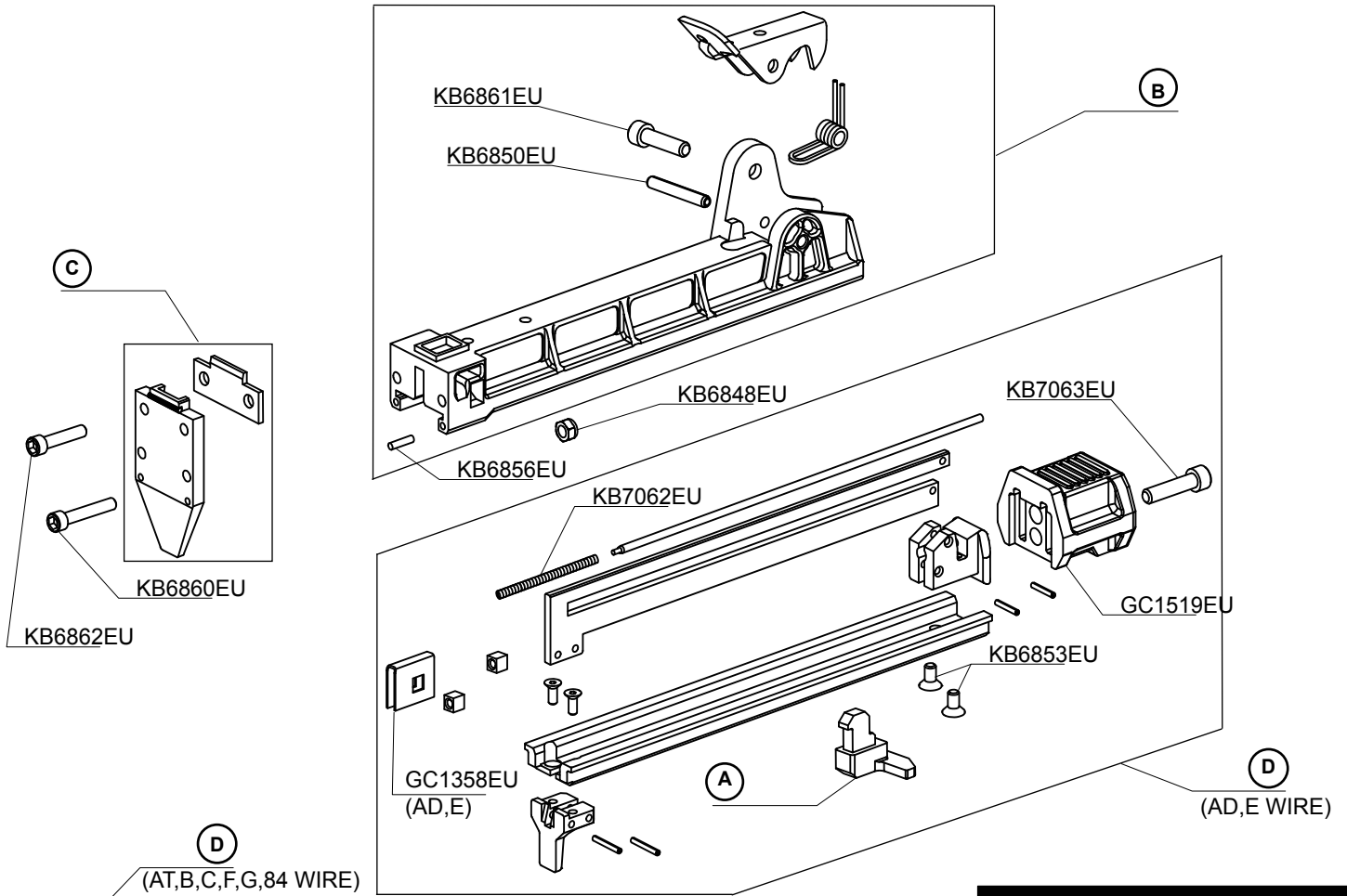
HC0736EU



Tool #	Model	(A)	(B)	(C)	(D)	(E)
6S2001N A/D (EU)	A/D WIRE	GC1521EU	GA0581EU	FA0283EU	GA0697EU	EA0247EU
6S2061N AT (EU)	AT WIRE	GC1368EU	GA0584EU	FA0294EU	GA0596EU	EA0256EU
6S2011N B (EU)	B WIRE	GC1368EU	GA0584EU	FA0286EU	GA0592EU	EA0245EU
6S2021N C (EU)	C WIRE	GC1368EU	GA0580EU	FA0282EU	GA0589EU	EA0244EU
6S2031N E (EU)	E WIRE	GC1521EU	GA0581EU	FA0289EU	GA0697EU	EA0250EU
6S2041N F (EU)	F WIRE	GC1504EU	GA0584EU	FA0288EU	GA0694EU	EA0283EU
6S2051N G (EU)	G WIRE	GC1368EU	GA0580EU	FA0292EU	GA0589EU	EA0251EU
6S2071N 84 (EU)	84 WIRE	GC1368EU	GA0698EU	FA0331EU	GA0699EU	EA0305EU

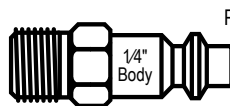
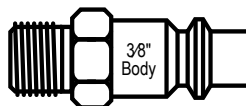
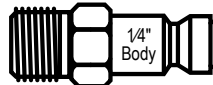
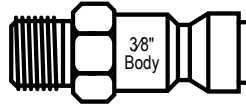
Fine Wire Stapler

SFT10XP



Note: EU designed parts can be different.

Available Plugs
(Not Included with Tool)

	PC0479 ✓
Ind. Interchange 1/4" NPT	
	PC0486
Ind. Interchange 1/4" NPT	
	PC0468 ✓
Tru-Flate 1/4" NPT	
	PC0474
Tru-Flate 1/4" NPT	

✓ Recommended Plugs
Plugs shown smaller than actual size



REPLACEMENT PARTS LIST • LISTA DE PARTES DE REPUESTO • LISTE DE PIÈCES DE RECHANGE

Table with 4 columns: PART NO., DESCRIPTION, DESCRIPCIÓN, DÉSIGNATION. Lists various parts like TRIGGER PLATE ASY, CAP ASY, MAINBODY, MUFFLER, CYLINDER SLEEVE, BUMPER, VALVE, PISTON DRIVER ASY (C, B, AD, E, G, AT, F, 84), FRONT PLATE ASY (C, AD, B, F, E, G, AT, 84), MAGAZINE ASY (C, G, AD, E, B, F, AT), LATCH ASY, RAIL ASY (C, G, B, F, AT), LATCH (F), RAIL ASY (AD, E), MAGAZINE ASY (84), FEEDER SHOE (AD, E, C, G, AT, 84), LATCH (B, C, G, AT, 84), FEEDER SHOE (AT, B, 84), LATCH (F), END CAP (AD, E), LATCH (AD, E), TRIGGERING ASY, TRIGGER, SPRING, NUT, PIN, SCREW, TORNILLO, PASADOR, O-RING, SELLO.