

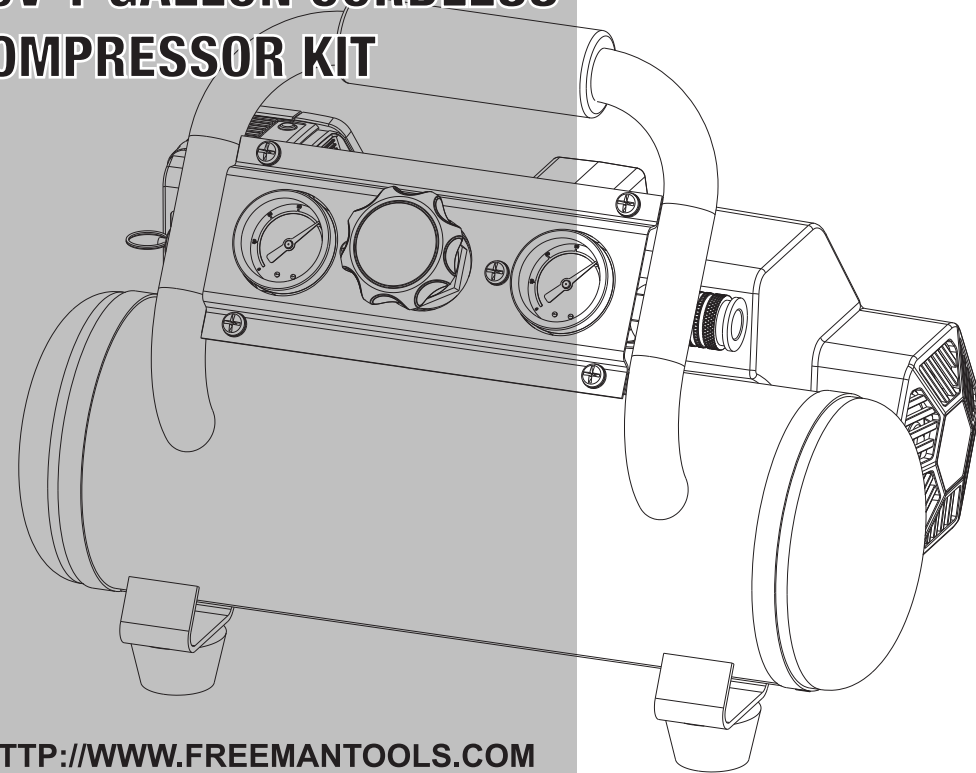
# FREEMAN

- [HTTP://WWW.FREEMANTOOLS.COM](http://www.freemantools.com)
- 1-888-669-5672
- PRIME GLOBAL PRODUCTS, INC.

# FREEMAN

## MODEL: PE20V1GCK

### 20V 1 GALLON CORDLESS COMPRESSOR KIT



- [HTTP://WWW.FREEMANTOOLS.COM](http://www.freemantools.com)
- 1-888-669-5672
- PRIME GLOBAL PRODUCTS, INC.



**WARNING:**

Failure to follow warnings could result in  
DEATH OR SERIOUS INJURY.

Save this manual for future reference.  
Keep your dated proof of purchase  
for warranty purpose.

SYMBOLS	3
GENERAL SAFETY INSTRUCTIONS	3 - 6
UNPACKING	6
FEATURES	6
SPECIFICATIONS	6
OPERATION	6 - 8
INSTALLING/REMOVING BATTERY PACK	6
CONNECTING / DISCONNECTING THE AIR HOSE	6
BREAK-IN PERIOD	7
TURNING THE AIR COMPRESSOR ON/OFF	7
USING THE AIR COMPRESSOR	7
DRAINING THE TANK	7 - 8
CHECKING THE SAFETY VALVE	8
CHARGING THE BATTERY	8
MAINTENANCE	9
TROUBLESHOOTING	10
WARRANTIES	11

## WARNING

The warning and precautions discussed in this manual cannot cover all possible conditions and situations that may occur. Please be aware of the potential hazards and take all necessary precautions to avoid risk of injuries.

## SAVE THIS MANUAL

- Keep this manual for the safety warnings, precautions, operations, inspections, and maintenance information. Store this manual and the receipt in a safe and dry place for future reference.

**▲ WARNING:**  
**To avoid serious personal injury, do not attempt to use this product until you read the manual thoroughly and understand it completely. Save this manual and review it frequently for safe operation and instructing others who may use this tool.**

## SYMBOLS

- In this manual, on the labels, packages and all other information provided with this tool, the following signal words and meanings are intended to explain the levels of risk associated with this tool.

SYMBOLS	SIGNAL	MEANING
	WARNING:	Indicates a potentially hazardous situation, which, if not avoided, could result in death or serious injury.
	CAUTION:	Indicates a potentially hazardous situation, which, if not avoided, may result in minor or moderate injury.
	CAUTION:	(Without symbol) Indicates a situation that may result in property damage.

## GENERAL SAFETY INSTRUCTIONS

### CALIFORNIA PROPOSITION 65

**▲ WARNING:**  
**This product can expose you to chemicals including lead, which is known to the State of California to cause cancer and other birth defects or other reproductive harm. For more information go to [www.P65Warnings.ca.gov](http://www.P65Warnings.ca.gov).**

### WORK AREA SAFETY

- **Keep the work area clean and well lit.** Cluttered benches and dark areas increase the risk of accidents.
- **Do not operate the tool in explosive atmospheres, such as in the presence of flammable liquids, gases or dust.** The tool could create a spark which may ignite flammable liquids, gases or dust.
- **Keep bystanders, children, and others away while operating the tool.** Distractions could result in improper use and cause injury.
- **Always keep proper footing and balance.** Proper footing and balance enable better control of the tool in unexpected situations.
- **Operate air compressor in an open area at least 18 in. away from any wall or object.** Close spaces could restrict the flow of fresh air to ventilation openings.

### PERSONAL SAFETY

- **Always wear eye protection.** Operator and others in the work area should always wear ANSI-Z87.1 approved safety goggle with side shields. Eye protection is used to guard against flying debris, which may cause severe eye injury.
- **Always hearing protection when using the tool.** Prolonged exposure to high intensity noise may cause hearing loss.
- **Dress properly.** Do not wear loose clothing or jewelry. Keep your hair, clothing, and gloves away from moving parts. Loose clothes, jewelry, or long hair can be caught in moving parts.
- **Stay alert.** Do not use tool while tired or under the influence of drugs, alcohol, or medication. A moment of inattention while operating the tool may cause serious injury.
- **Avoid prolonged use.** The tool's repetitive motion and vibration can cause harm to your hands or arms. The user can use gloves for extra cushion, take frequent breaks and limit daily use to prevent this issue.
- **This tool vibrates with use.** Continuous operation can be harmful to your hands and arms. Stop using the tool if you feel tingling or pain. Resume work after recovery. Seek medical advice if serious symptoms occur.
- **Make sure there are no hidden electrical cables, gas pipes, etc. while working on the work piece.** These hazards could harm the user if damaged while using this tool.
- **Wash hands after handling this product or its power cord.** They may contain chemicals known to the State of California to cause cancer and birth defects or other reproductive harm.

## ELECTRICAL SAFETY

- **The charger's power plug must match the outlet.** Never modify the plug or try to plug the tool into an outlet that does not match the plug.
- **Avoid contact with grounded elements such as metal tables, pipes, ranges or refrigerators.** Contact with these elements can put you at risk of electrical shock.
- **When operating the tool keep tool away from wet conditions.** Wet tools can cause electrical shock.
- **Only use this product with the recommended batteries and chargers.** Use of other battery packs or chargers may create a risk of injury or fire.

## TOOL USE AND CARE

- **Know this tool.** Read this manual carefully, learn its applications and limitations, as well as the specific potential hazards related to this tool.
- **Always have a firm footing and grip on the tool to counteract any force that may be enacted during the operation of the tool.**
- **Practice safe working practices and ensure all relevant legal requirements are being followed when using this tool.**
- **The tool should not be forced, use the correct tool for your application.** The correct tool will do the job better and safer at the rate for which the tool is being used.
- **Before adjusting, changing accessories, or storing the tool disconnect the tool from the battery.** This will reduce the risk of injury from the power tool.
- **Check for misalignment or binding of moving parts, breakage of parts and any other condition that may affect the tool's operation.** If damaged, have the tool serviced before using.
- **Many accidents are caused by poorly maintained tools.** Maintain tool with care. A properly maintained tool will function more smoothly and prevent binding, making it easier to use.
- **Do not use the tool for anything other than its intended use.**

- **Keep the tool and its handle dry, clean and free of oil and grease.** Always use a clean cloth when cleaning. Never use brake fluids, gasoline, petroleum-based products, or any strong solvents to clean your tool.
- **Never use gasoline or other flammable liquids to clean the tool.** Never use the tool in the presence of flammable liquids or gases. Vapors could ignite by a spark and cause an explosion which will result in death or serious injury.
- **Do not drop or throw the tool.** Dropping or throwing the tool can result in damage that will make the tool unusable or unsafe. If the tool has been dropped or thrown, examine the tool closely for bent, cracked or broken parts. STOP and repair before using or serious injury could occur.
- **Do not exceed the pressure rating of any component in the system.**
- **Protect material lines and air lines from damage or puncture.** Keep hose away from sharp objects, chemical spills, oil, solvents, and wet floors.
- **Check hoses for weak or worn condition before each use, making certain all connections are secure.** Do not use if defect is found. Purchase a new hose or notify an authorized service center for examination or repair.
- **Release all pressures within the system slowly.** Dust and debris may be harmful.
- **Store idle air compressors out of the reach of children and other untrained persons.** Air compressors are dangerous in the hands of untrained users.
- **Maintain air compressors with care.** Follow maintenance instructions. Properly maintained products are easier to control.
- **Drain tanks of moisture after each day's use.** If unit will not be used for a while, it is best to leave drain valve open until such time as it is to be used. This will allow moisture to completely drain out and help prevent corrosion on the inside of tanks.
- **Do not spray flammable liquid in a confined area.** Spray area must be well ventilated. Do not smoke while spraying or spray where spark or flame is present.
- **Keep compressors as far from the spraying area as possible, at least 20 feet from the spraying area and all explosive vapors.**
- **Do not adjust regulator to result in output pressure greater than marked maximum pressure of attachment.** Do not use at pressure greater than 120 psi.
- **To reduce the risk of electric shock, do not expose to rain.** Store indoors.
- **Inspect tanks yearly for rust, pin holes, or other imperfections that could cause it to become unsafe.** Never weld or drill holes in the air tanks.
- **Make sure the hose is free of obstructions or snags.** Entangled or snarled hoses can cause loss of balance or footing and may become damaged.
- **Use the air compressor only for its intended use.** Do not alter or modify the unit from the original design or function.
- **Always be aware that misuse and improper handling of this product can cause injury to yourself and others.**
- **Never leave a tool unattended with the air hose attached.**
- **Never point any air tool toward yourself or others.**
- **Do not operate this air compressor if it does not contain a legible warning label.**
- **Do not continue to use a tool or hose that leaks air or does not function properly.**
- **Do not attempt to pull or carry the air compressor by the hose.**
- **Always follow all safety rules recommended by the manufacturer of your air tool, in addition to all safety rules for the air compressor.** Following this rule will reduce the risk of serious personal injury.
- **Never direct a jet of compressed air toward people or animals.** Take care not to blow dust and dirt towards yourself or others. Following this rule will reduce the risk of serious injury.
- **Do not use this air compressor to spray chemicals.** Your lungs can be damaged by inhaling toxic fumes. A respirator may be necessary in dusty environments or when spraying paint. Do not carry while painting.
- **Never store a tool with air connected.** Storing the tool with air connected can result in unexpected firing and possible serious personal injury.

- **Battery tools do not have to be plugged into an electrical outlet; therefore, they are always in operating condition.** Be aware of possible hazards when not using your battery tool or when changing accessories. Following this rule will reduce the risk of electric shock, fire, or serious personal injury.

## BATTERY AND CHARGER USE AND CARE

- **Only use batteries that are recommended for this tool by the manufacturer.** Use of any other battery may cause risk of injury or fire.
- **When the battery is not in use, keep it away from metal objects that could connect one terminal to another.** If the terminals are connected the battery could cause fire or burns.
- **Keep the battery free of abusive situations, if a battery is damaged it can eject battery liquid.** If you encounter the battery liquid flush the contact area with water. If your eye encounters the battery liquid flush with water and seek medical help. Battery liquid can cause irritation or burns.
- **Do not store batteries in areas that can reach or exceed 105°F.** (Such as outside sheds or metal buildings in the summer).
- **Only charge the battery with a charger recommended by the manufacturer.** Use of any other charger may cause risk of injury or fire.
- **Do not use chargers for anything other than charging manufacturer recommended batteries, otherwise electric shock could occur.**
- **Do not expose the charger to rain or snow.** Make sure the charger's cord is in an area where it will not be damaged.
- **Extension cords should not be used unless necessary.** Improper use of an extension cord can result in electric shock.
- **Do not place an object on top of the charger.** This could block ventilation slots and cause excessive internal heat.
- **Do not use the charger if it has been subjected to a hard blow, has been dropped, or damaged otherwise.** Take the charger to an authorized repair center.

**TOOL SERVICE**

- Only use accessories that are identified by the manufacturer for the specific tool model.
- Use of unauthorized parts or failure to follow maintenance instructions may create a risk of injury.
- Tool service must only be performed by a qualified repair personnel.
- Remove the battery packs, open drain valve to decompress tanks and allow water to drain, and allow air compressor to become cool to the touch before servicing. Turn pressure regulator knob fully counter-clockwise after shutting off air compressor.

**UNPACKING**

- This tool has been shipped completely assembled.
- Carefully remove the tool and any accessories from the box.
- Inspect the tool carefully to make sure no breakage or damage occurred during shipping.
- Do not discard the packing material until you have carefully inspected and satisfactorily operated the tool.
- If any parts are damaged or missing, please call 1-888-669-5672.

**FEATURES**

- 20V Max Lithium-Ion Battery Power
- Portable and Cordless Power
- Easy to Read Gauges
- Durable Rubber Feet
- Safety and Ball Drain Valves

**SPECIFICATIONS**

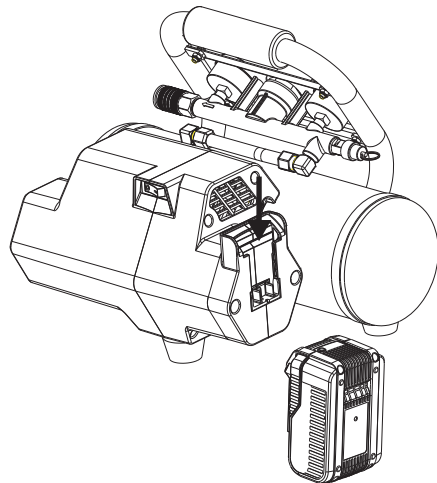
<b>Tank</b>	1 Gallon
<b>Voltage</b>	20V Max
<b>Max Pressure</b>	120 psi (8.27 bar)
<b>Weight</b>	14 lbs (6.40 kg)
<b>Air Delivery</b>	0.70 SCFM@ 40psi 0.50 SCFM@ 90psi

**OPERATION**

**INSTALLING/REMOVING BATTERY PACK**

For best performance, install a fully charged battery pack before beginning operation.

1. Make sure the air compressor is turned off.
2. Insert the battery pack and make sure the latch on the battery snaps in place and battery pack is secured to the tool.
3. To remove, depress the latch and pull out the battery pack.



**CONNECTING / DISCONNECTING THE AIR HOSE**

To connect an air hose:

1. Make sure the air compressor is turned off and the battery packs are not installed.
2. Rotate pressure regulator knob fully in the counterclockwise direction so that the outlet pressure is at zero (0) PSI.
3. Attach hose with quick connect air fitting to the 1/4 in. quick coupler on the air compressor. Make sure to push the hose adapter end fully into the coupler until the sleeve springs forward to lock it in place.

**USING THE AIR COMPRESSOR**

1. Ensure that the ON/OFF switch is in the OFF position and the battery packs are not installed.
2. Attach air hose following the instructions in Connecting/Disconnecting Air Hose (hose not provided).
3. Attach 1/4 in. NPT quick-connect air fitting to the accessory or tool you intend to use. Insert the other end of the quick-connect air fitting to the quick coupler on the open end of hose.
4. Install the battery packs.
5. Move the ON/OFF switch to the ON position.
6. Set the amount of air pressure desired using the pressure regulator knob. Pull the knob out, then turn clockwise to increase or counterclockwise to decrease the air pressure through the hose. When the desired pressure is set, push the knob back in to lock.
7. When finished, always drain the tank, turn the unit off, and remove the battery packs. Never leave the unit on and/or running unattended.

4. Confirm that the outlet pressure is at zero (0) PSI.
5. When disconnecting a hose from the 1/4 in. quick coupler, always firmly hold the release end of the hose.
6. Pull back on the release sleeve on the 1/4 in. quick coupler.
7. With a firm grip, pull out the quick-connect air fitting that is attached to the quick coupler.

**BREAK-IN PERIOD**

Before first use, install the fully charged 4.0Ah battery pack. Run the air compressor at zero tank pressure with the drain valve fully open for 30 minutes or until the battery pack is completely discharged, whichever happens first.

**TURNING THE AIR COMPRESSOR ON/OFF**

1. Install the battery pack.
2. Move the ON/OFF switch to the ON position to power the compressor.
3. To turn the air compressor off, move the ON/OFF switch to the OFF position.

NOTE: When the compressor is in the ON position, the air compressor will automatically turn back on when the designated tank air pressure drops below the preset pressure limit. It will also shut off again when the cut-off pressure is reached.

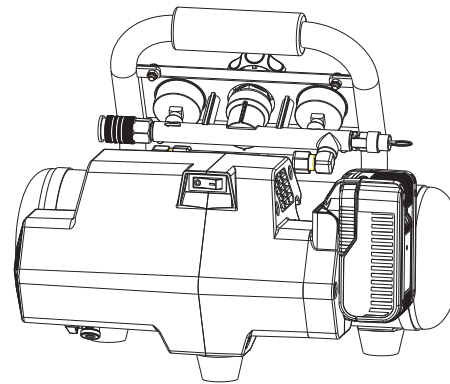
NOTE: Always use the minimum amount of pressure necessary for your application. Using a higher pressure than needed will drain air from the tank more rapidly, cause the unit to cycle on more frequently, and reduce battery run time between charges. Following all safety precautions in this manual and the manufacturer's instructions in the air tool manual, you may now proceed to use your air-powered tool.

**DRAINING THE TANK**

To help prevent tank corrosion and keep moisture out of the air used, the air tank of the compressor should be drained daily.

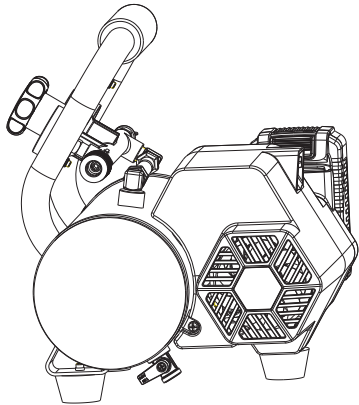
To drain:

1. Turn the air compressor off and remove the battery packs.
2. Pull the ring on the safety valve to release air until tank pressure gauge reads less than 20 psi.
3. Release the ring.
4. Turn the drain valves 90° counterclockwise to the ON (open) position.
5. Tilt tank to drain moisture from tank into a suitable container.



- If a drain valve is clogged, release all air pressure, remove and clean valve, then reinstall.
- Turn the drain valves 90° clockwise to the OFF (closed) position.

NOTE: Condensate is a polluting material and should be disposed of in compliance with local regulations.



### CHECKING THE SAFETY VALVE

**▲ WARNING:**  
Do not attempt to tamper with the safety valve. Anything loosened from this device could fly up and hit you. Failure to heed this warning could result in death or serious personal injury.

1. Install the battery packs.
2. Turn the air compressor ON and allow the tank to fill. The compressor will shut off when the pressure reaches the cut-out pressure.
3. Turn the air compressor OFF
4. Pull the ring on the safety valve to release air for three to five seconds to allow pressurized air to escape. Release the ring. The safety release valve must reset and hold pressure before all compressed air is exhausted from the tank/pressure vessel.
5. Any continued loss of air after performing the above steps indicates a problem with the safety valve. Discontinue use and seek service before continued use of the air compressor.

**▲ WARNING:**  
If air leaks after the ring has been released or if the valve is stuck and cannot be actuated by the ring, do not use the air compressor until the safety valve has been replaced. Use of the air compressor in this condition could result in serious personal injury.

### CHARGING THE BATTERY

1. To charge the battery, line up the slot of the battery with the slot of the charger and slide into place.
2. The battery indicator light should turn from green to red when the battery is charging.
3. When the indicator light has turned green the battery should be fully charged.

**▲ WARNING:**  
Allow battery to cool down before charging if the battery is hot after continuous use.

### BATTERY

All batteries wear out over time due to normal wear and tear. Do not attempt to disassemble and repair the battery, as this could cause serious burns especially when wearing rings and jewelry. For the longest possible battery life, we suggest the following:

- Remove the battery from the charger once fully charged.
- Store the battery away from moisture and at a temperature below 80°F.
- Store the battery with at least a 30% – 50% charge.
- If a battery has been stored for six months or more, charge the battery as normal.

## MAINTENANCE

### GENERAL MAINTENANCE

Avoid using solvents when cleaning plastic parts. Most plastics are susceptible to damage from various types of commercial solvents and maybe damaged by their use. Use clean cloth to remove dirt, dust, oil, grease, etc.

**▲ WARNING:**  
Remove the battery from the tool for any inspection, maintenance, and cleaning.

### REPLACING THE AIR FILTER

1. Grasp the tabs on the air filter cover and pull away from the housing.
2. Remove the air filter.
3. Install new air filter.
4. Replace the air filter cover by pushing it into the housing until it clicks into place.

### STORING THE AIR COMPRESSOR

1. Place the ON/OFF switch in the off position.
2. Remove battery packs.
3. Disconnect air hose and air tool from the compressor.
4. Drain air tanks according to instructions.
5. Thoroughly clean air compressor and any accessories.

## TROUBLESHOOTING

PROBLEM	POSSIBLE CAUSE	SOLUTION
Compressor Will not run	Batteries are not charged	Recharge both battery packs
	Pressure switch is bad	Take compressor to service center
	Tank is full of air	Compressor will turn off when tank pressure drops to cut-in pressure
	Internal overload switch is tripped	Turn off the compressor and allow the unit to cool; remove and reinstall the battery packs
Motor hums but cannot run, or runs slowly	Shorted or open motor winding	Take compressor to service center
	Defective check valve or unloader	Take compressor to service center
Internal overload switch trips repeatedly	Lack of proper ventilation / room temperature too high	Move compressor to a ventilated area
	Electrical overload	Turn off unit and allow to cool. Remove and install battery packs
Air tank pressure drops when compressor shuts off	Loose connections (fittings, tubing, etc.)	Clean all connections with warm water
	Loose drain valve / open drain valve	Tighten / close drain valve
	Check valve leaking	Take compressor to service center
<div style="border: 1px solid black; padding: 5px; width: fit-content; margin: 0 auto;"> <p><b>▲ WARNING:</b> Do not disassemble check valve, tank drain valves, or safety relief valve with air in the tank.</p> </div>		
Excessive moisture in discharged air	Excessive water in air tank	Drain tank
	High humidity	Move to area of less humidity; use air line filter
Compressor runs continuously	Defective pressure switch	Take compressor to service center
	Excessive air usage	Decrease air usage; compressor not large enough for tool requirements
	Piston rings are worn	Replace piston rings; Call customer service for assistance
Air output is lower than normal	Broken inlet valves	Take compressor to service center
	Connections are leaking	Tighten connections

## WARRANTIES

### PGP INC. PRODUCT WARRANTIES

Professional 1-Year Limited Warranty

The Freeman tool limited warranty extends exclusively to the original purchaser of the Freeman product, begins on the date of purchase. During the warranty period Prime Global Products, Inc. (PGP) expressly warrants that the Freeman product is free from defect in materials and workmanship subject to the exceptions and limitations contained herein. PGP shall at its option, repair, replace, or offer a full refund for a Freeman product that has a defect in materials or workmanship. A DATED SALES RECEIPT OR PROOF OF PURCHASE FROM THE ORIGINAL RETAIL PURCHASER IS REQUIRED TO MAKE A WARRANTY CLAIM. Warranty registration is also required and can be accomplished through On-Line Product Registration at [www.freemantools.com](http://www.freemantools.com), select PRODUCT REGISTRATION. To make a warranty claim, the original purchaser must return the Freeman tool, postage prepaid and insured, with proof of purchase to PGP or any of its authorized service centers. For questions please call 1-888-669-5672. Other than the postage and insurance requirement, no charge will be made for repairs covered by this warranty.

### Warranty Exclusions

These Warranties do not apply where:

- Repairs or alterations have been made, or attempted, by others, and/or the unauthorized use of non-conforming parts or accessories.
- Repairs are required due to normal wear and tear.
- The Tool has been abused, misused, improperly maintained or operated, including: the failure to use clean, dry, regulated compressed air at the recommended pressure; accidents caused by use of the Freeman product after partial failure.
- The Freeman product is used commercially in assembly lines or production lines. The Freeman product is intended for use by individuals and these warranties do not extend to such commercial uses.

NO WARRANTY, ORAL OR WRITTEN, EXPRESSED OR IMPLIED, OTHER THAN THE ABOVE WARRANTIES IS MADE WITH REGARD TO THIS FREEMAN PRODUCT. ANY IMPLIED WARRANTIES WILL BE LIMITED IN DURATION TO THE APPLICABLE WARRANTY PERIOD SPECIFIED ABOVE. SOME STATES DO NOT ALLOW LIMITATIONS ON HOW LONG AN IMPLIED WARRANTY LASTS, SO THE ABOVE MAY NOT APPLY TO YOU. YOUR REMEDIES ARE SOLELY AND EXCLUSIVELY AS STATED ABOVE. PGP SHALL IN NO EVENT BE LIABLE FOR INCIDENTAL, CONSEQUENTIAL, INDIRECT, OR SPECIAL DAMAGES. SOME STATES DO NOT ALLOW THE EXCLUSION OR LIMITATION OF INCIDENTAL OR CONSEQUENTIAL DAMAGES, SO THE ABOVE LIMITATION OR EXCLUSION MAY NOT APPLY TO YOU. IN NO EVENT, WHETHER AS A RESULT OF A BREACH OF CONTRACT, WARRANTY, TORT (INCLUDING NEGLIGENCE) OR OTHERWISE, SHALL PGP'S LIABILITY EXCEED THE PRICE OF THE PRODUCT WHICH HAS GIVEN RISE TO THE CLAIM OR LIABILITY. ANY LIABILITY CONNECTED WITH THE USE OF THIS PRODUCT SHALL TERMINATE UPON THE EXPIRATION OF THE WARRANTY PERIOD SPECIFIED ABOVE. NO EMPLOYEE OR REPRESENTATION OF PGP, OR ANY DISTRIBUTOR OR DEALER IS AUTHORIZED TO MAKE ANY CHANGE OR MODIFICATION OF THIS WARRANTY.

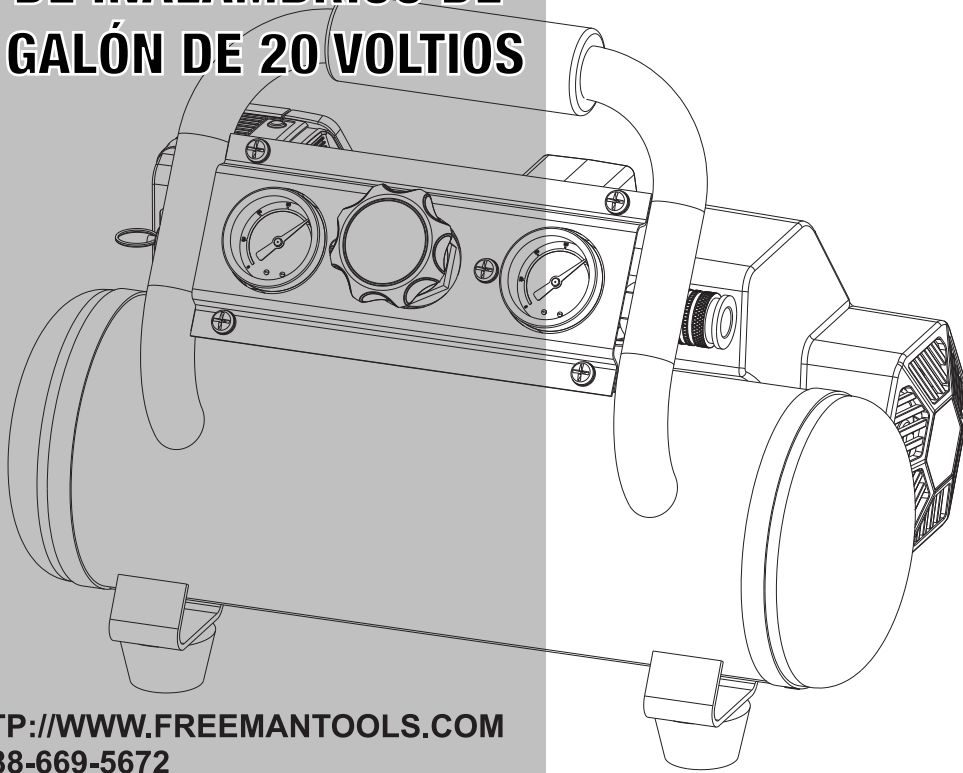
All matters related to the sale and/or use of the Freeman Product that is the subject of these limited warranties, along with the construction and enforcement of the terms of these limited warranties themselves, shall be subject to the laws of the state of Georgia. Any dispute arising out of the sale and/or use of the Freeman Product that is the subject of these limited warranties shall be brought in Cherokee County, Georgia. Purchase and/or use of the Freeman Product, makes you subject to the benefits and limitations of these limited warranties.

**THESE WARRANTIES ARE SUBJECT TO CHANGE WITHOUT NOTICE.**

# FREEMAN

## MODEL: PE20V1GCK

### KIT DE INALÁMBRICO DE UN GALÓN DE 20 VOLTIOS



- [HTTP://WWW.FREEMANTOOLS.COM](http://www.freemantools.com)
- 1-888-669-5672
- PRIME GLOBAL PRODUCTS, INC.

**ADVERTENCIA:**

Para reducir el riesgo de lesiones, el usuario debe leer y comprender el manual del operador antes de usar este producto.

GUARDE ESTE MANUAL PARA FUTURAS REFERENCIAS

PE20V1GCK-V1 04/20

MODELO: PE20V1GCK

**FREEMAN**

SÍMBOLOS	14
INFORMACIÓN GENERAL DE SEGURIDAD	14 - 17
DESEMBALAJE	17
CARACTERÍSTICAS	18
ESPECIFICACIONES	18
UTILIZACIÓN	18 - 20
INSTALAR / RETIRAR EL PAQUETE DE BATERÍAS	18
CONEXIÓN / DESCONEXIÓN DE LA MANGUERA DE AIRE	18
PERIODO DE RODAJE	18
ENCENDIDO / APAGADO	18
USO DEL COMPRESOR DE AIRE	19
DRENAJE DEL TANQUE	19
COMPROBACIÓN DE LA VÁLVULA DE SEGURIDAD	20
CARGANDO LA BATERÍA	20
MANTENIMIENTO	20 - 21
SOLUCIÓN DE PROBLEMAS	22
GARANTÍAS	23

**ADVERTENCIA**

Las advertencias y precauciones discutidas en este manual no pueden cubrir todas las condiciones y situaciones posibles que puedan ocurrir. Tenga en cuenta los riesgos potenciales y tome todas las precauciones necesarias para evitar el riesgo de lesiones.

**GUARDE ESTE MANUAL**

- Guarde este manual para las advertencias de seguridad, precauciones, operaciones, inspecciones e información de mantenimiento. Guarde este manual y el recibo en un lugar seguro y seco para futuras consultas.

**▲ ADVERTENCIA:**

Para evitar lesiones personales graves, no intente utilizar este producto hasta que lea el manual a fondo y lo entienda por completo. Guarde este manual y revíselo con frecuencia para un funcionamiento seguro y para instruir a otras personas que puedan usar esta herramienta.

## SÍMBOLOS

Símbolos en este manual, las etiquetas, envases y en toda la información provista con esta herramienta. Las siguientes palabras de aviso y significados tienen el objetivo de explicar los niveles de riesgo asociados con esta herramienta.

SÍMBOLOS	AVISO	SIGNIFICADO
	ADVERTENCIA:	Indica una situación potencialmente peligrosa que, deno evitarse, podría causar lamuerte o lesiones graves.
	PRECAUCIÓN:	Indica una situación potencialmente peligrosa que, deno evitarse, podría causar lamuerte o lesiones graves.
	PRECAUCIÓN:	(Sin símbolo) Indica una situación que puede resultar en daños a la propiedad.

## INFORMACIÓN GENERAL DE SEGURIDAD

### PROPOSICIÓN 65 DE CALIFORNIA

#### ADVERTENCIA:

ADVERTENCIA: Este producto puede exponerlo a elementos químicos, incluido el plomo, que es conocido por el Estado de California como causante de cáncer y de defectos congénitos u otros daños reproductivos. Para obtener más información, visite [www.P65Warnings.ca.gov](http://www.P65Warnings.ca.gov).

### SEGURIDAD EN ÁREA DE TRABAJO

- **Mantenga limpia y bien iluminada el area de trabajo.** Un area de trabajo mal despejada o mal iluminada propicia accidentes.
- **No utilice herramientas motorizadas en atmósferas explosivas, como las existentes alrededor de líquidos, gases y polvos inflamables.** Las herramientas electricas generan chispas que pueden encender el polvo y los vapores inflamables.
- **Mantenga alejados a los niños y circunstantes al maniobrar una herramienta electrica.** Toda distraccion puede causar la perdida del control de la herramienta.
- **No use la unidad cuando esté en una escalera o en un soporte inestable.** Una postura estable sobre una superficie sólida permite un mejor control de la herramienta eléctrica en situaciones inesperadas.

- **Use el compresor de aire en un área abierta de al menos 18 pulgadas (0.5 m) de cualquier pared u objeto que pueda restringir el flujo de aire fresco a las aberturas de ventilación.**

### SEGURIDAD PERSONAL

- **Manténgase alerta, preste atención a lo que está haciendo y aplique el sentido común cuando use herramientas eléctricas.** No use la herramienta eléctrica si está cansado o bajo la influencia de drogas, alcohol o medicamentos. Un momento de inercia al usar una herramienta eléctrica puede causar lesiones corporales graves.
- **Utilice otros equipos de protección.** Siempre use protección para los ojos. El uso de equipos de protección como máscara antipolvo, calzado de seguridad, casco y protección para los oponentes en las circunstancias, cuando sea apropiado, reduce el riesgo de lesiones.
- **Evitar que la herramienta se active accidentalmente.** Asegúrese de que el interruptor esté en la posición de apagado antes de conectar la herramienta a una fuente de alimentación o colocar una batería. Transportar herramientas eléctricas con el dedo en el interruptor o enchufar herramientas eléctricas que tienen el interruptor encendido puede causar accidentes.
- **Retire cualquier llave o herramienta de ajuste antes de encender la herramienta eléctrica.** Cualquier llave o herramienta de ajuste que quede en una parte giratoria de la herramienta eléctrica puede causar lesiones.

- **No estire el cuerpo para alcanzar una distancia mayor.** Mantener una postura firme y un buen equilibrio en todo momento. De esta manera, se logra un mejor control de la herramienta eléctrica en situaciones inesperadas.
- **Vístase correctamente.** No use ropa holgada o joyas. Mantenga el cabello, la ropa y los guantes alejados de las piezas móviles. La ropa suelta y las joyas, así como el cabello largo, pueden quedar atrapados en las partes móviles.
- **Si se proporcionan dispositivos para conectar las mangueras de extracción y recolección de polvo, asegúrese de que estén correctamente conectadas y se usen correctamente.** El uso de la recolección de polvo puede reducir los peligros asociados con él.
- **No use ropa holgada o joyas.** Recoge el pelo si es largo. La ropa suelta y las joyas, así como el cabello largo, pueden introducirse en el interior de las aberturas de ventilación.

### SEGURIDAD ELECTRICA

- **El enchufe de alimentación del cargador debe coincidir con la toma.** Nunca modifique el enchufe ni enchufe la herramienta en tomas que no coinciden con el enchufe
- **Evite el contacto con elementos conectados a tierra como mesas de metal, tuberías, registros o refrigeradores.** El contacto con estos elementos puede provocar un riesgo de descarga eléctrica.
- **Cuando opere la herramienta, mantenga la herramienta alejada de las condiciones húmedas.** Las herramientas húmedas pueden provocar descarga eléctrica.
- **Inspeccione siempre el cable eléctrico para ver si hay daños antes y después del uso.** Un cable dañado puede provocar descarga eléctrica.

### USO Y CUIDADO DE LA HERRAMIENTA

- **Conoce esta herramienta Lea este manual detenidamente, conozca sus aplicaciones y limitaciones, así como los riesgos potenciales específicos relacionados con esta herramienta.**

- **Siempre tenga una base firme y agarre la herramienta para contrarrestar cualquier fuerza que pueda ejercerse durante la operación de la herramienta.**
- **Practique prácticas de trabajo seguras y asegúrese de que se cumplan todos los requisitos legales relevantes al usar esta herramienta.**
- **La herramienta no debe ser forzada, use la herramienta correcta para su aplicación.** La herramienta correcta hará el trabajo mejor y más seguro a la velocidad para la que se utiliza la herramienta.
- **Antes de ajustar, cambiar accesorios o almacenar la herramienta, desconecte la herramienta de la batería.** Esto reducirá el riesgo de lesiones por la herramienta eléctrica.
- **Verifique la desalineación o atascamiento de las piezas móviles, la rotura de las piezas y cualquier otra condición que pueda afectar el funcionamiento de la herramienta.** Si está dañado, haga reparar la herramienta antes de usarla.
- **Muchos accidentes son causados por herramientas mal mantenidas.** Mantenga la herramienta con cuidado. Una herramienta mantenida adecuadamente funcionará más suavemente y evitará la unión, lo que facilitará su uso.
- **No use la herramienta para otra cosa que no sea su uso previsto.**
- **Mantenga la herramienta y su mango secos, limpios y libres de aceite y grasa.** Siempre use un paño limpio cuando limpie. Nunca use líquidos de frenos, gasolina, productos a base de petróleo o solventes fuertes para limpiar su herramienta.
- **Nunca use gasolina u otros líquidos inflamables para limpiar la herramienta.** Nunca use la herramienta en presencia de líquidos o gases inflamables. Los vapores pueden encenderse por una chispa y provocar una explosión que provocará la muerte o lesiones graves.
- **No deje caer ni arroje la herramienta.** Dejar caer o tirar la herramienta puede provocar daños que harán que la herramienta sea inutilizable o insegura. Si la herramienta se ha caído o arrojado, examínala detenidamente en busca de piezas dobladas, agrietadas o rotas. DETÉNGASE y repare antes de usar o podrían producirse lesiones graves.



- **No exceda la presión nominal de ningún componente del sistema.** Proteja las líneas materiales y las líneas aéreas de daños o pinchazos. Mantenga la manguera lejos de objetos afilados, derrames químicos, aceite, solventes y pisos mojados.
- **Verifique que las mangueras estén débiles o desgastadas antes de cada uso, asegurándose de que todas las conexiones estén seguras.** No lo use si se encuentra un defecto. Compre una manguera nueva o notifique a un centro de servicio autorizado para su examen o reparación.
- **Libere todas las presiones dentro del sistema lentamente.** El polvo y los escombros pueden ser dañinos.
- **Almacene los compresores de aire inactivos fuera del alcance de los niños y otras personas sin capacitación.** Los compresores de aire son peligrosos en manos de usuarios no capacitados.
- **Mantenga los compresores de aire con cuidado.** Siga las instrucciones de mantenimiento. Los productos mantenidos adecuadamente son más fáciles de controlar.
- **Drene los tanques de humedad después del uso de cada día.** Si la unidad no se usará durante un tiempo, es mejor dejar la válvula de drenaje abierta hasta el momento en que se vaya a usar. Esto permitirá que la humedad se drene completamente y ayudará a prevenir la corrosión en el interior de los tanques.
- **No rocíe líquidos inflamables en un área confinada.** El área de pulverización debe estar bien ventilada. No fume mientras rocía o rocíe donde haya chispas o llamas.
- **Mantenga los compresores lo más lejos posible del área de pulverización, al menos a 20 pies del área de pulverización y de todos los vapores explosivos.**
- **No ajuste el regulador para que la presión de salida sea mayor que la presión máxima marcada del accesorio.** No lo use a presiones superiores a 120 psi.
- **Para reducir el riesgo de descarga eléctrica, no lo exponga a la lluvia.** Almacenar en el interior.

- **Inspeccione los tanques anualmente en busca de óxido, agujeros de alfiler u otras imperfecciones que puedan hacer que se vuelva inseguro.** Nunca suelde ni taladre agujeros en los tanques de aire.
- **Asegúrese de que la manguera esté libre de obstrucciones o enganches.** Las mangueras enredadas o enredadas pueden causar pérdida de equilibrio o equilibrio y pueden dañarse.
- **Use el compresor de aire solo para el uso previsto.** No altere ni modifique la unidad del diseño o función original.
- **Tenga siempre en cuenta que el mal uso y el manejo incorrecto de este producto pueden causarles lesiones a usted y a otros.**
- **Nunca deje una herramienta desatendida con la manguera de aire conectada.**
- **Nunca apunte ninguna herramienta neumática hacia usted u otras personas.**
- **No opere este compresor de aire si no contiene una etiqueta de advertencia legible.**
- **No continúe usando una herramienta o manguera que tenga fugas de aire o que no funcione correctamente.**
- **No intente tirar ni transportar el compresor de aire por la manguera.**
- **Siga siempre todas las reglas de seguridad recomendadas por el fabricante de su herramienta neumática, además de todas las reglas de seguridad para el compresor de aire.** Seguir esta regla reducirá el riesgo de lesiones personales graves.
- **Nunca dirija un chorro de aire comprimido hacia personas o animales.** Tenga cuidado de no soplar el polvo y la suciedad hacia usted u otras personas. Seguir esta regla reducirá el riesgo de lesiones graves.
- **No use este compresor de aire para rociar productos químicos.** Sus pulmones pueden dañarse al inhalar humos tóxicos. Puede ser necesario un respirador en ambientes polvorientos o al rociar pintura. No llevar mientras pinta.
- **Nunca almacene una herramienta con aire conectado.** El almacenamiento de la herramienta con aire conectado puede provocar disparos inesperados y posibles lesiones personales graves.

- **Las herramientas de batería no tienen que enchufarse a una toma de corriente; por lo tanto, siempre están en condiciones de funcionamiento.** Tenga en cuenta los posibles peligros cuando no use la herramienta de la batería o cuando cambie los accesorios. Seguir esta regla reducirá el riesgo de descarga eléctrica, incendio o lesiones personales graves.

## USO DE BATERÍA Y CARGADOR Y CUIDADO

- **Solo use baterías recomendadas para esta herramienta por el fabricante.** El uso de cualquier otra batería puede causar riesgo de lesiones o incendio.
- **Cuando la batería no esté en uso, manténgala alejada de objetos metálicos que puedan conectar un terminal a otro.** Si los terminales están conectados, la batería podría provocar incendios o quemaduras.
- **Mantenga la batería libre de situaciones abusivas, si una batería está dañada, puede expulsar el líquido de la batería.** Si encuentra líquido de la batería, lave el área de contacto con agua. Si su ojo se encuentra con el líquido de la batería, enjuáguelo con agua y busque ayuda médica. El líquido de la batería puede causar irritación o quemaduras.
- **No almacene las baterías en áreas que puedan alcanzar o superar los 105 ° F.** (Como cobertizos exteriores o edificios de metal en el verano).
- **Cargue la batería únicamente con un cargador recomendado por el fabricante.** El uso de cualquier otro cargador puede causar riesgo de lesiones o incendio.
- **No use cargadores para otra cosa que no sea cargar las baterías recomendadas por el fabricante, de lo contrario podría producirse una descarga eléctrica.**
- **No exponga el cargador a la lluvia o la nieve.** Asegúrese de que el cable del cargador esté en un área donde no se dañe.
- **Los cables de extensión no deben usarse a menos que sea necesario.** El uso incorrecto de un cable de extensión puede provocar descargas eléctricas.
- **No coloque ningún objeto encima del cargador.** Esto podría bloquear las ranuras de ventilación y causar un calor interno excesivo.

- **No use el cargador si ha sido sometido a un golpe fuerte, se ha caído o dañado de lo contrario.** Lleve el cargador a un centro de reparación autorizado.

## SERVICIO DE HERRAMIENTAS

- **Utilice únicamente accesorios identificados por el fabricante para el modelo de herramienta específico.**
- **El uso de piezas no autorizadas o el incumplimiento de las instrucciones de mantenimiento puede crear un riesgo de lesiones.**
- **El servicio de la herramienta solo debe ser realizado por personal de reparación calificado.**
- **Retire los paquetes de baterías, abra la válvula de drenaje para descomprimir los tanques y permita que se drene el agua, y permita que el compresor de aire se enfríe al tacto antes de realizar el mantenimiento.** Gire la perilla del regulador de presión completamente en sentido antihorario después de apagar el compresor de aire.

## DESEMBALAJE

- **Esta herramienta ha sido enviada completamente ensamblada.** Retire con cuidado la herramienta y cualquier
- **Inspeccione la herramienta cuidadosamente para asegurarse de que no se haya roto ni dañado durante el envío.**
- **No deseche el material de embalaje hasta que haya inspeccionado cuidadosamente y operado satisfactoriamente la herramienta.**
- **Si alguna pieza está dañada o falta, llame al 1-888-669-5672.**

## CARACTERÍSTICAS

- Energía de batería de iones de litio máxima de 20 V
- Energía portátil e inalámbrica
- Medidores fáciles de leer
- Pies de goma duraderos
- Válvulas de seguridad y drenaje de bola

## ESPECIFICACIONES

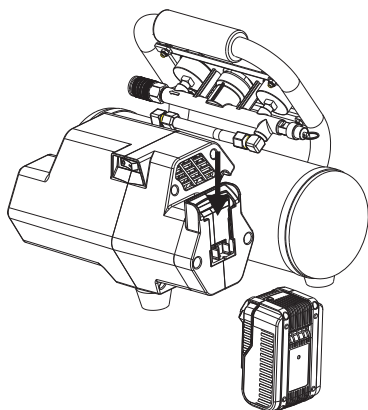
Tanque	3,7 litros
voltaje	20V Max
Presión máxima	120 psi (8,27 bar)
Peso	14 lbs (6.40 kg)
Entrega aerea	0.02m <sup>3</sup> /min @ 2,76 bar 0.01m <sup>3</sup> /min @ 6,20 bar

## UTILIZACIÓN

### INSTALAR / RETIRAR EL PAQUETE DE BATERÍAS

Para obtener el mejor rendimiento, instale una batería completamente cargada antes de comenzar la operación.

1. Asegúrese de que el compresor de aire esté apagado.
2. Inserte la batería y asegúrese de que el pestillo de la batería encaje en su lugar y que la batería esté asegurada a la herramienta.
3. Para retirar, presione el pestillo y extraiga la batería.



### CONEXIÓN / DESCONEXIÓN DE LA MANGUERA DE AIRE

Para conectar una manguera de aire:

1. Asegúrese de que el compresor de aire esté apagado y que las baterías no estén instaladas.
2. Gire la perilla del regulador de presión completamente en sentido antihorario para que la presión de salida sea cero (0) PSI. Conecte una manguera con conexión de aire de conexión rápida al acoplador rápido de ¼ pulg. En el compresor de aire.
3. Asegúrese de empujar el extremo del adaptador de la manguera completamente en el acoplador hasta que el manguito salte hacia adelante para bloquearlo en su lugar.
4. Confirme que la presión de salida es cero (0) PSI.
5. Al desconectar una manguera del acoplador rápido de ¼ pulg., Siempre sostenga firmemente el extremo de liberación de la manguera.
6. Tire hacia atrás de la funda de liberación del acoplador rápido de ¼ pulg.
7. Con un agarre firme, extraiga el accesorio de aire de conexión rápida que está conectado al acoplador rápido.

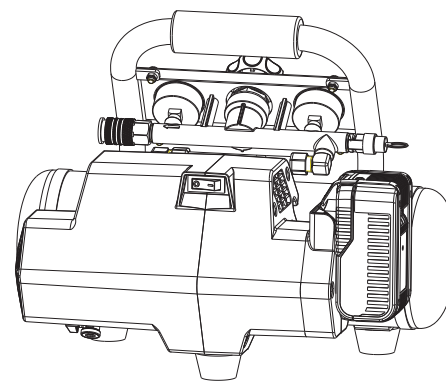
### PERIODO DE RODAJE

Antes del primer uso, instale la batería completamente cargada de 4.0Ah. Haga funcionar el compresor de aire a presión de tanque cero con la válvula de drenaje completamente abierta durante 30 minutos o hasta que la batería se descargue por completo, lo que ocurra primero.

### ENCENDIDO / APAGADO

1. Instale la batería.
2. Mueva el interruptor ON / OFF a la posición ON para alimentar el compresor.
3. Para apagar el compresor de aire, mueva el interruptor ON / OFF a la posición OFF.

NOTA: Cuando el compresor está en la posición ON, el compresor de aire se encenderá automáticamente cuando la presión de aire del tanque designada caiga por debajo del límite de presión preestablecido. También se apagará nuevamente cuando se alcance la presión de corte.



### USO DEL COMPRESOR DE AIRE

1. Asegúrese de que el interruptor de ENCENDIDO / APAGADO esté en la posición de APAGADO y que las baterías no estén instaladas.
2. Conecte la manguera de aire siguiendo las instrucciones en Conexión / Desconexión de la manguera de aire (manguera no incluida).
3. Conecte un accesorio de aire de conexión rápida NPT de 1/4 pulg. Al accesorio o herramienta que desea utilizar.
4. Inserte el otro extremo de la conexión de aire de conexión rápida al acoplador rápido en el extremo abierto de la manguera.
5. Instale los paquetes de baterías. Mueva el interruptor ON / OFF a la posición ON.
6. Establezca la cantidad de presión de aire deseada usando la perilla del regulador de presión. Tire de la perilla hacia afuera, luego gire en sentido horario para aumentar o en sentido antihorario para disminuir la presión de aire a través de la manguera. Cuando se establece la presión deseada, empuje la perilla nuevamente para bloquearla.
7. Cuando termine, siempre drene el tanque, apague la unidad y retire las baterías. Nunca deje la unidad encendida y / o funcionando sin supervisión.

NOTA: Utilice siempre la cantidad mínima de presión necesaria para su aplicación. Usar una presión más alta de la necesaria drenará el aire del tanque más rápidamente, hará que la unidad se encienda con más frecuencia y reducirá el tiempo de funcionamiento de la batería entre cargas. Siguiendo todas las precauciones de seguridad en este manual y las instrucciones del fabricante en el manual de la herramienta neumática, ahora puede proceder a utilizar su herramienta neumática.

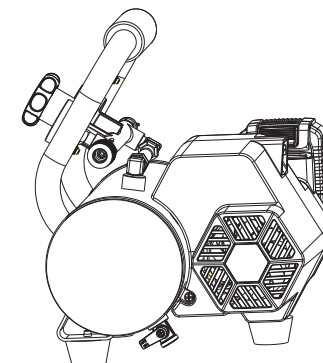
### DRENAJE DEL TANQUE

Para ayudar a prevenir la corrosión del tanque y mantener la humedad fuera del aire utilizado, el tanque de aire del compresor debe drenarse diariamente.

Drenar:

1. Apague el compresor de aire y retire las baterías.
2. Tire del anillo de la válvula de seguridad para liberar aire hasta que el manómetro del tanque lea menos de 20 psi.
3. Suelta el anillo.
4. Gire las válvulas de drenaje 90 ° en sentido contrario a las agujas del reloj a la posición ON (abierta).
5. Incline el tanque para drenar la humedad del tanque a un recipiente adecuado. Si una válvula de drenaje está obstruida, libere toda la presión de aire, retire y limpie la válvula, luego vuelva a instalarla.
6. Gire las válvulas de drenaje 90 ° en sentido horario a la posición de APAGADO (cerrado).

NOTA: El condensado es un material contaminante y debe eliminarse de acuerdo con las regulaciones locales.



**COMPROBACIÓN DE LA VÁLVULA DE SEGURIDAD**

**⚠ ADVERTENCIA:**  
**No intente alterar la válvula de seguridad. Cualquier cosa que se suelte de este dispositivo podría volar y golpearlo. El incumplimiento de esta advertencia podría provocar la muerte o lesiones personales graves.**

1. Instale los paquetes de baterías.
2. Encienda el compresor de aire y permita que se llene el tanque. El compresor se apagará cuando la presión alcance la presión de corte.
3. Apague el compresor de aire.
4. Tire del anillo en la válvula de seguridad para liberar aire durante tres a cinco segundos para permitir que escape el aire presurizado. Suelta el anillo. La válvula de liberación de seguridad debe reiniciarse y mantener la presión antes de que se escape todo el aire comprimido del tanque / recipiente a presión.
5. Cualquier pérdida continua de aire después de realizar los pasos anteriores indica un problema con la válvula de seguridad. Suspense el uso y busque servicio antes de continuar usando el compresor de aire.

**⚠ ADVERTENCIA:**  
**Si hay fugas de aire después de que se haya liberado el anillo o si la válvula está atascada y no puede ser accionada por el anillo, no use el compresor de aire hasta que la válvula de seguridad haya sido reemplazada. El uso del compresor de aire en esta condición podría provocar lesiones personales graves.**

**CARGANDO LA BATERÍA**

1. Para cargar la batería, alinee la ranura de la batería con la ranura del cargador y deslícelo en su lugar.
2. La luz indicadora de la batería debe cambiar de verde a rojo cuando la batería se está cargando.
3. Cuando la luz indicadora se vuelve verde, la batería debe estar completamente cargada.

**⚠ ADVERTENCIA:**  
**Deje que la batería se enfríe antes de cargarla si la batería está caliente después de un uso continuo.**

**BATERÍA**

Todas las baterías se gastan con el tiempo debido al desgaste normal. No intente desarmar y reparar la batería, ya que esto podría causar quemaduras graves, especialmente al usar anillos y joyas. Para la mayor duración posible de la batería, sugerimos lo siguiente:

- Retire la batería del cargador una vez que esté completamente cargada.
- Guarde la batería lejos de la humedad y a una temperatura inferior a 80 ° F.
- Almacene la batería con al menos un 30% - 50% de carga.
- Si ha guardado una batería durante seis meses o más, cárguela normalmente.

**MANTENIMIENTO**

**MANTENIMIENTO GENERAL**

Evite usar solventes al limpiar piezas de plástico. La mayoría de los plásticos son susceptibles al daño de varios tipos de solventes comerciales y pueden dañarse por su uso. Use un paño limpio para eliminar la suciedad, el polvo, el aceite, la grasa, etc.

**⚠ ADVERTENCIA:**  
**Retire la batería de la herramienta para cualquier inspección, mantenimiento y limpieza.**

**REEMPLAZO DEL FILTRO DE AIRE**

1. Sujete las pestañas de la cubierta del filtro de aire y retírela de la carcasa.
2. Retire el filtro de aire.
3. Instale un nuevo filtro de aire.
4. Vuelva a colocar la cubierta del filtro de aire empujándola dentro de la carcasa hasta que encaje en su lugar.

**STORING THE AIR COMPRESSOR**

1. Coloque el interruptor de ENCENDIDO / APAGADO en la posición de apagado.
2. Retire las baterías.
3. Desconecte la manguera de aire y la herramienta neumática del compresor.
4. Drene los tanques de aire según las instrucciones.
5. Limpie a fondo el compresor de aire y cualquier accesorio.

## SOLUCIÓN DE PROBLEMAS

PROBLEMA	CAUSA	SOLUCIÓN
Compresor no correrá	Las baterías no están cargadas.	Recargue ambas baterías
	El interruptor de presión es malo.	Lleve el compresor al centro de servicio.
	El tanque esta lleno de aire	El compresor se apagará cuando el tanque la presión cae a la presión de corte
	El interruptor interno de sobrecarga se disparó	Apague el compresor y permita que unidad para enfriar; quitar y reinstalar el paquetes de baterías
El motor zumba pero no puede correr o corre despacio	Bobinado del motor en corto o abierto	Lleve el compresor al centro de servicio.
	Válvula de retención o descargador defectuoso	Lleve el compresor al centro de servicio.
Sobrecarga interna cambiar de viaje repetidamente	Falta de ventilación adecuada / temperatura ambiente demasiado alto	Mueva el compresor a un área ventilada
	Sobrecarga eléctrica	Apague la unidad y deje que se enfríe. Eliminar e instalar paquetes de baterías
Presión del tanque de aire cae cuando el compresor se apaga	Conexiones sueltas (accesorios, tubos, etc.)	Limpie todas las conexiones con agua tibia
	Válvula de drenaje suelta / válvula de drenaje abierta	Apriete / cierre la válvula de drenaje
	Válvula de retención con fuga	Lleve el compresor al centro de servicio.  <b>⚠ ADVERTENCIA:</b> No desarme la válvula de retención, las válvulas de drenaje del tanque ni la válvula de alivio de seguridad con aire en el tanque.
Humedad excesiva en aire descargado	Exceso de agua en el tanque de aire	Depósito de drenaje
	Alta humedad	Muévase al área de menos humedad; Usar aire filtro de línea
El compresor funciona continuamente	Interruptor de presión defectuoso	Lleve el compresor al centro de servicio.
	Uso excesivo de aire.	Disminuir el uso de aire; compresor no lo suficientemente grande como para requisitos de herramientas
	Los aros del pistón están desgastados	Reemplace los anillos de pistón; Llamar al cliente servicio de asistencia
La salida de aire es más baja de lo normal	Válvulas de entrada rotas	Lleve el compresor al centro de servicio.
	Las conexiones tienen fugas	Apriete las conexiones

## GARANTÍA

### GARANTÍAS DE LOS PRODUCTOS PGP INC.

#### Garantía de 1 Año Para Herramientas Profesionales

La garantía limitada para herramientas Freeman se extiende en forma exclusiva al comprador original del producto Freeman, comienza en la fecha de compra. Durante el periodo de garantía Prime Global Products, Inc. (PGP) garantiza expresamente que el producto Freeman está libre de defectos de material y mano de obra con sujeción a las excepciones y limitaciones contenidas en el presente. A su elección, PGP reparará, reemplazara u ofrecerá un reembolso completo par un producto Freeman que tenga un defecto de material o mano de obra.

PARA HACER UN RECLAMO DE GARANTÍA SE REQUIERE EL ORIGINAL DEL RECIBO O PRUEBA DE COMPRA QUE EMITIÓ EL VENDEDOR DONDE SE INDIQUE LA FECHA DE COMPRA. También se necesita registrar la garantía lo que se podrá hacer a través del proceso de registro de producto en línea en [www.freemantools.com](http://www.freemantools.com), seleccione SOPORTE, luego REGISTRO DE PRODUCTO. Para hacer un reclamo de garantía, el comprador original deberá enviar a PGP o a uno de sus centros de servicios autorizados la Pistola para Clavos Freeman, franqueo postal prepagado y garantizado, incluyendo la prueba de compra. Para cualquier consulta llame al 1-888-669-5672. No se hará cobro alguno por las reparaciones que estén cubiertas por la presente garantía, con excepción del costo del franqueo postal y los requisitos de seguro.

#### Exclusiones de la garantía

Esta garanta no se aplicará en ninguno de los siguientes casos:

- Cuando se hayan hecho, o intentado hacer, reparaciones o modificaciones por otros o cuando se haya usado sin autorización piezas o accesorios no conformes.
- Cuando se requiera hacer reparaciones debido al desgaste lógico y normal.
- Cuando se haya usado inadecuadamente la pistola para clavos o no se haya operado en forma apropiada o no se le haya dado el mantenimiento que correspondía, incluyendo: no usar aire comprimido regulado, seco y limpio a la presión recomendada; accidentes provocados por uso del producto Freeman después de una falla parcial.
- El producto Freeman se usa comercialmente en líneas de ensamblaje o de producción. El producto Freeman está diseñado para ser usado por personas particulares yes par eso que esta garantía no se extiende a usos comerciales.

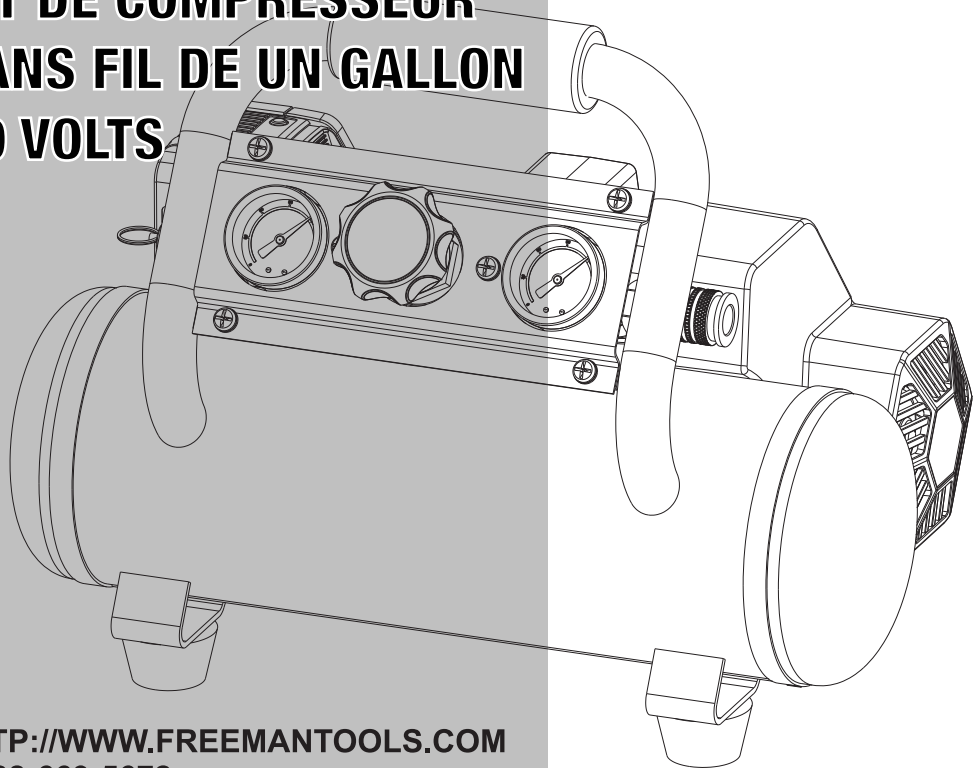
EN LA PRESENTE GARANTÍA NO SE DA NINGUNA OTRA GARANTÍA, ORAL O ESCRITA, EXPRESA O IMPLÍCITA, QUE NO SEA LA QUE SE INDICA LÍNEAS ARRIBA EN RELACIÓN A ESTE PRODUCTO FREEMAN. TODA GARANTIA IMPLÍCITA TENDRA UNA DURACIÓN LIMITADA AL PERÍODO DE GARANTÍA APLICABLE QUE SE MENCIONA AQUÍ. ALGUNOS ESTADOS NO PERMITEN LIMITACIONES SOBRE CUÁNTO TIEMPO DURA UNA GARANTÍA IMPLÍCITA, POR LO QUE LO AQUÍ CONSIGNADO PODRÍA NO APLICARSE A SU CASO. SUS RECURSOS LEGALES SE LIMITAN ÚNICA Y EXCLUSIVAMENTE A LO AQUÍ CONSIGNADO. EN NINGÚN CASO PGP SERÁ RESPONSABLE POR DAÑOS INDIRECTOS, FORTUITOS O CUANTIFICABLES, POR LO QUE LA LIMITACIÓN O EXCLUSIÓN AQUÍ CONTENIDA PUEDE NO APLICARSE A SU CASO. EN NINGÚN CASO, SEA COMO RESULTADO DE UN INCUMPLIMIENTO DE CONTRATO, DE GARANTÍA, AGRAVIO (INCLUYENDO NEGLIGENCIA) U OTRO, LA RESPONSABILIDAD DE PGP EXCEDERÁ EL PRECIO DEL PRODUCTO QUE DIO ORIGEN AL RECLAMO DE GARANTIA O A LA RESPONSABILIDAD. TODA OBLIGACIÓN RELACIONADA CON EL USO DE ESTE PRODUCTO TERMINARÁ AL VENCIMIENTO DEL PERÍODO DE GARANTÍA AQUÍ ESPECIFICADO. NINGÚN EMPLEADO O REPRESENTANTE DE PGP, O CUALQUIER OTRO AGENTE O DISTRIBUIDOR, ESTÁ AUTORIZADO A REALIZAR CAMBIOS O MODIFICACIONES A ESTA GARANTÍA.

La presente garantía le da al comprador derechos legales expertos. El comprador podría tener otros derechos que varían de un estado a otro.

# FREEMAN

## MODÈLE: PE20V1GCK

### KIT DE COMPRESSEUR SANS FIL DE UN GALLON 20 VOLTS



- [HTTP://WWW.FREEMANTOOLS.COM](http://www.freemantools.com)
- 1-888-669-5672
- PRIME GLOBAL PRODUCTS, INC.



#### AVERTISSEMENT:

Tout manquement aux mises en garde pourrait se solder par MORT D'HOMME OU DES BLESSURES GRAVES

CONSERVEZ CE MANUEL POUR RÉFÉRENCE  
ULTÉRIEURE. GARDEZ VOTRE PREUVE  
D'ACHAT DATÉE À DES FINS DE GARANTIE.

PE20V1GCK-V1 04/20

MODÈLE: PE20V1GCK

FREEMAN

SYMBOLES	26
RÈGLES DE SÉCURITÉ GÉNÉRALES	26 - 30
DÉBALLAGE	30
CARACTÉRISTIQUES	30
SPÉCIFICATIONS	30
UTILISATION	30 - 33
INSTALLATION / RETRAIT DU BLOC-PILES	30
CONNEXION / DÉCONNEXION DU TUYAU D'AIR	31
PÉRIODE DE RODAGE	31
ALLUMÉ / ÉTEINT	31
UTILISATION DU COMPRESSEUR D'AIR	31
VIDANGE DU RÉSERVOIR	32
VERIFICATION DE LA SOUPEPE DE SECURITE	32
CHARGEMENT DE LA BATTERIE	33
ENTRETIEN	33
DÉPANNAGE	34
GARANTIE	35



#### AVERTISSEMENT

Les consignes de sécurité et précautions mentionnées dans ce guide ne couvrent pas toutes les conditions et situations pouvant se produire. Soyez conscient des risques potentiels et prenez toutes les mesures de sécurité nécessaires pour éviter les blessures.



#### CONSERVEZ CE MANUEL

- Gardez ce manuel qui contient les avertissements de sécurité, les précautions à prendre, le mode de fonctionnement, les inspections et l'entretien à effectuer. Gardez ce manuel et le reçu dans un endroit sec et sécuritaire pour référence ultérieure.

#### ▲ AVERTISSEMENT:

Pour éviter des blessures graves, n'utilisez pas ce produit tant que vous n'avez pas lu et compris le manuel attentivement. Conservez ce manuel et relisez-le fréquemment pour une utilisation en toute sécurité et pour informer les autres utilisateurs potentiels de cet outil.



[HTTP://WWW.FREEMANTOOLS.COM](http://www.freemantools.com)

1-888-669-5672

25

**SYMBOLES**

- Les termes de mise en garde suivants et leur signification ont pour but d'expliquer le degré de risque associé à l'utilisation de ce produit.

SYMBOLES	INDICATEUR	SIGNIFICATION
	AVERTISSEMENT :	Indique une situation potentiellement dangereuse qui, si elle n'est pas évitée, pourrait se solder par mort d'homme ou des blessures graves.
	ATTENTION:	Indique une situation potentiellement dangereuse qui, si elle n'est pas évitée, pourrait se solder par des blessures mineures ou modérées.
	ATTENTION:	(Aucun symbole) Indique une situation qui pourrait poser des risques de dommages matériels.

**RÈGLES DE SÉCURITÉ GÉNÉRALES**

**PROPOSITION 65 DE LA CALIFORNIE**

**⚠ AVERTISSEMENT:**  
Ce produit peut vous exposer à des produits chimiques, y compris le plomb, qui est connu dans l'État de Californie pour causer le cancer et des malformations congénitales ou d'autres problèmes de reproduction. Pour plus d'informations, visitez [www.P65Warnings.ca.gov](http://www.P65Warnings.ca.gov).

**SÉCURITÉ DE LA ZONE DE TRAVAIL**

- **Gardez la zone de travail propre et bien éclairée.** Les bancs encombrés et les zones sombres augmentent le risque d'accidents.
- **N'utilisez pas l'outil dans des atmosphères explosives, par exemple en présence de liquides, gaz ou poussières inflammables.** L'outil pourrait créer une étincelle qui pourrait enflammer des liquides, des gaz ou de la poussière inflammables.
- **Éloignez les spectateurs, les enfants et les autres personnes lors de l'utilisation de l'outil.** Les distractions peuvent entraîner une mauvaise utilisation et provoquer des blessures.
- **Gardez toujours une bonne assise et un bon équilibre. Une bonne assise et un bon équilibre permettent un meilleur contrôle de l'outil dans des situations inattendues.**

- **Faire fonctionner le compresseur d'air dans une zone ouverte à au moins 18 po de tout mur ou objet. Des espaces proches pourraient restreindre le flux d'air frais vers les ouvertures de ventilation.**

**SÉCURITÉ PERSONNELLE**

- **Portez toujours des lunettes de protection.** L'opérateur et les autres personnes dans la zone de travail doivent toujours porter des lunettes de sécurité approuvées ANSI-Z87.1 avec écrans latéraux. Une protection oculaire est utilisée pour se prémunir contre les débris volants, qui peuvent provoquer de graves blessures aux yeux.
- **Toujours une protection auditive lors de l'utilisation de l'outil.** Une exposition prolongée à un bruit de haute intensité peut entraîner une perte auditive.
- **Habillez-vous correctement.** Ne portez pas de vêtements amples ni de bijoux. Gardez vos cheveux, vos vêtements et vos gants à l'écart des pièces mobiles. Des vêtements amples, des bijoux ou des cheveux longs peuvent être pris dans les pièces mobiles.
- **Reste attentif.** N'utilisez pas l'outil lorsque vous êtes fatigué ou sous l'influence de drogues, d'alcool ou de médicaments. Un moment d'inattention lors de l'utilisation de l'outil peut provoquer des blessures graves.
- **Évitez une utilisation prolongée.** Les mouvements et vibrations répétitifs de l'outil peuvent endommager vos mains ou vos bras. L'utilisateur peut utiliser des gants pour un coussin supplémentaire, prendre des pauses fréquentes et limiter l'utilisation quotidienne pour éviter ce problème.

- **Cet outil vibre à l'usage.** Un fonctionnement continu peut être dangereux pour vos mains et vos bras. Arrêtez d'utiliser l'outil si vous ressentez des picotements ou de la douleur. Reprenez le travail après la récupération. Consultez un médecin si de graves symptômes apparaissent.
- **Assurez-vous qu'il n'y a pas de câbles électriques, de tuyaux de gaz, etc. cachés lorsque vous travaillez sur la pièce à travailler.** Ces dangers peuvent nuire à l'utilisateur s'ils sont endommagés lors de l'utilisation de cet outil.
- **Se laver les mains après avoir manipulé ce produit ou son cordon d'alimentation.** Ils peuvent contenir des produits chimiques reconnus par l'État de Californie comme pouvant causer le cancer et des malformations congénitales ou d'autres nuire à la reproduction.
- **Évitez tout contact avec des éléments mis à la terre tels que des tables, des tuyaux, des cuisinières ou des réfrigérateurs en métal.** Le contact avec ces éléments peut vous mettre en danger de choc électrique.
- **Lorsque vous utilisez l'outil, tenez-le éloigné des conditions humides.** Les outils humides peuvent provoquer un choc électrique.
- **N'utilisez ce produit qu'avec les batteries et chargeurs recommandés.** L'utilisation d'autres batteries ou chargeurs peut créer un risque de blessure ou d'incendie. Connaissez cet outil. Lisez attentivement ce manuel, découvrez ses applications et ses limites, ainsi que les dangers potentiels spécifiques liés à cet outil.
- **Ayez toujours une bonne assise et une bonne adhérence sur l'outil pour contrer toute force qui pourrait être exercée pendant le fonctionnement de l'outil.**
- **Adoptez des pratiques de travail sûres et assurez-vous que toutes les exigences légales pertinentes sont respectées lors de l'utilisation de cet outil.**
- **L'outil ne doit pas être forcé, utilisez l'outil approprié pour votre application.** L'outil correct fera le travail mieux et plus sûr à la vitesse à laquelle l'outil est utilisé.
- **Avant de régler, de changer d'accessoire ou de ranger l'outil, débranchez l'outil de la batterie.** Cela réduira le risque de blessure de l'outil électrique.
- **Vérifiez le désalignement ou le blocage des pièces mobiles, la rupture des pièces et toute autre condition pouvant affecter le fonctionnement de l'outil.** S'il est endommagé, faites réparer l'outil avant de l'utiliser.
- **De nombreux accidents sont causés par des outils mal entretenus.** Entretenez l'outil avec soin. Un outil bien entretenu fonctionnera plus facilement et empêchera les grippages, ce qui le rendra plus facile à utiliser.
- **N'utilisez pas l'outil pour autre chose que son utilisation prévue.**

**SÉCURITÉ ÉLECTRIQUE**

- **La fiche d'alimentation du chargeur doit correspondre à la prise.** Ne modifiez jamais la fiche et n'essayez pas de brancher l'outil dans une prise qui ne correspond pas à la fiche.
- **Évitez tout contact avec des éléments mis à la terre tels que des tables, des tuyaux, des cuisinières ou des réfrigérateurs en métal.** Le contact avec ces éléments peut vous mettre en danger de choc électrique.
- **Lorsque vous utilisez l'outil, tenez-le éloigné des conditions humides.** Les outils humides peuvent provoquer un choc électrique.
- **N'utilisez ce produit qu'avec les batteries et chargeurs recommandés.** L'utilisation d'autres batteries ou chargeurs peut créer un risque de blessure ou d'incendie.

**UTILISATION ET ENTRETIEN DES OUTILS**

- **La fiche d'alimentation du chargeur doit correspondre à la prise.** Ne modifiez jamais la fiche et n'essayez pas de brancher l'outil dans une prise qui ne correspond pas à la fiche.

- **Gardez l'outil et sa poignée secs, propres et exempts d'huile et de graisse.** Utilisez toujours un chiffon propre pour le nettoyage. N'utilisez jamais de liquide de frein, d'essence, de produits à base de pétrole ou de solvants puissants pour nettoyer votre outil.
- **N'utilisez jamais d'essence ou d'autres liquides inflammables pour nettoyer l'outil.** N'utilisez jamais l'outil en présence de liquides ou de gaz inflammables. Les vapeurs peuvent s'enflammer par une étincelle et provoquer une explosion qui entraînera la mort ou des blessures graves.
- **Ne laissez pas tomber ou ne lancez pas l'outil.** La chute ou le lancement de l'outil peut entraîner des dommages qui rendront l'outil inutilisable ou dangereux. Si l'outil est tombé ou a été projeté, examinez-le attentivement pour détecter les pièces tordues, fissurées ou cassées. **ARRÊTEZ** et réparez avant d'utiliser ou des blessures graves pourraient survenir.
- **Ne dépassez pas la pression nominale d'aucun composant du système. Protégez les lignes de matériel et les compagnies aériennes contre les dommages ou les perforations.** Gardez le tuyau loin des objets tranchants, des déversements de produits chimiques, de l'huile, des solvants et des sols humides.
- **Vérifiez l'état des flexibles ou usés avant chaque utilisation, en vous assurant que toutes les connexions sont sécurisées.** Ne pas utiliser si un défaut est constaté. Achetez un nouveau tuyau ou informez un centre de service agréé pour examen ou réparation.
- **Relâchez lentement toutes les pressions dans le système.** La poussière et les débris peuvent être nocifs.
- **Conservez les compresseurs d'air inactifs hors de la portée des enfants et des autres personnes non formées.** Les compresseurs d'air sont dangereux entre les mains d'utilisateurs inexpérimentés.
- **Entretenez les compresseurs d'air avec soin.** Suivez les instructions d'entretien. Les produits correctement entretenus sont plus faciles à contrôler.
- **Vidangez les réservoirs d'humidité après chaque utilisation quotidienne.** Si l'appareil n'est pas utilisé pendant un certain temps, il est préférable de laisser la vanne de vidange ouverte jusqu'à ce qu'elle soit utilisée. Cela permettra à l'humidité de s'écouler complètement et aidera à prévenir la corrosion à l'intérieur des réservoirs.
- **Ne vaporisez pas de liquide inflammable dans une zone confinée.** La zone de pulvérisation doit être bien ventilée. Ne pas fumer pendant la pulvérisation ou pulvériser en présence d'étincelles ou de flammes.
- **Gardez les compresseurs aussi loin que possible de la zone de pulvérisation et de toutes les vapeurs explosives.**
- **Ne réglez pas le régulateur pour obtenir une pression de sortie supérieure à la pression maximale indiquée de l'accèssoire.** Ne pas utiliser à une pression supérieure à 120 psi.
- **Pour réduire le risque de choc électrique, ne l'exposez pas à la pluie.** Conserver à l'intérieur.
- **Inspectez les réservoirs chaque année pour déceler la rouille, les trous d'épingle ou d'autres imperfections qui pourraient la rendre dangereuse.** Ne jamais souder ou percer des trous dans les réservoirs d'air.
- **Assurez-vous que le tuyau n'est pas obstrué ou accroché.** Les tuyaux enchevêtrés ou enroulés peuvent entraîner une perte d'équilibre ou de pied et peuvent être endommagés.
- **Utilisez le compresseur d'air uniquement pour l'usage auquel il est destiné.** Ne pas altérer ou modifier l'unité à partir de la conception ou de la fonction d'origine.
- **Soyez toujours conscient qu'une mauvaise utilisation et une mauvaise manipulation de ce produit peuvent vous blesser et blesser d'autres personnes.**
- **Ne laissez jamais un outil sans surveillance avec le tuyau d'air attaché.**
- **Ne pointez jamais un outil pneumatique vers vous-même ou vers les autres.**
- **N'utilisez pas ce compresseur d'air s'il ne contient pas d'étiquette d'avertissement lisible.**

- **Ne continuez pas à utiliser un outil ou un tuyau qui fuit ou qui ne fonctionne pas correctement.**
- **N'essayez pas de tirer ou de transporter le compresseur d'air par le tuyau.**
- **Suivez toujours toutes les règles de sécurité recommandées par le fabricant de votre outil pneumatique, en plus de toutes les règles de sécurité du compresseur d'air.** Le respect de cette règle réduira le risque de blessures graves.
- **Ne dirigez jamais un jet d'air comprimé vers des personnes ou des animaux.** Veillez à ne pas souffler de poussière et de saleté vers vous ou les autres. Le respect de cette règle réduira le risque de blessures graves.
- **N'utilisez pas ce compresseur d'air pour pulvériser des produits chimiques.** Vos poumons peuvent être endommagés par l'inhalation de fumées toxiques. Un respirateur peut être nécessaire pour les environnements poussiéreux ou lors de la pulvérisation de peinture. Ne pas porter pendant la peinture.
- **Ne stockez jamais un outil avec de l'air connecté.** Le stockage de l'outil avec de l'air connecté peut entraîner un tir inattendu et des blessures graves.
- **Les outils à batterie n'ont pas besoin d'être branchés sur une prise électrique; par conséquent, ils sont toujours en état de fonctionnement.** Soyez conscient des dangers possibles lorsque vous n'utilisez pas votre outil à batterie ou lorsque vous changez d'accessoires. Le respect de cette règle réduira le risque de choc électrique, d'incendie ou de blessures graves.
- **Lorsque la batterie n'est pas utilisée, éloignez-la des objets métalliques qui pourraient connecter une borne à une autre.** Si les bornes sont connectées, la batterie peut provoquer un incendie ou des brûlures.
- **Gardez la batterie à l'abri de situations abusives, si une batterie est endommagée, elle peut éjecter le liquide de la batterie.** Si vous rencontrez le liquide de la batterie, rincez la zone de contact avec de l'eau. Si votre œil rencontre le liquide de la batterie, rincez à l'eau et consultez un médecin. Le liquide de la batterie peut provoquer des irritations ou des brûlures.
- **Ne stockez pas les batteries dans des zones pouvant atteindre ou dépasser 105 ° F.** (Tels que des hangars extérieurs ou des bâtiments métalliques en été).
- **Chargez la batterie uniquement avec un chargeur recommandé par le fabricant.** L'utilisation de tout autre chargeur peut entraîner des risques de blessures ou d'incendie.
- **N'utilisez pas de chargeurs pour autre chose que le chargement des batteries recommandées par le fabricant, sinon une décharge électrique pourrait se produire.**
- **N'exposez pas le chargeur à la pluie ou à la neige.** Assurez-vous que le cordon du chargeur se trouve dans une zone où il ne sera pas endommagé.
- **Les rallonges ne doivent être utilisées qu'en cas de nécessité.** Une mauvaise utilisation d'une rallonge peut entraîner un choc électrique.
- **Ne placez aucun objet sur le chargeur.** Cela pourrait bloquer les fentes de ventilation et provoquer une chaleur interne excessive.
- **N'utilisez pas le chargeur s'il a été soumis à un coup dur, a été échappé ou endommagé autrement.** Apportez le chargeur à un centre de réparation agréé.

## UTILISATION DE LA BATTERIE ET DU CHARGEUR ET SOIN

- **Utilisez uniquement des piles recommandées pour cet outil par le fabricant.** L'utilisation de toute autre batterie peut entraîner des risques de blessures ou d'incendie.

## SERVICE D'OUTILS

- Utilisez uniquement des accessoires identifiés par le fabricant pour le modèle d'outil spécifique.
- L'utilisation de pièces non autorisées ou le non-respect des instructions de maintenance peut créer un risque de blessure.
- L'entretien des outils ne doit être effectué que par un réparateur qualifié.
- Retirez les batteries, ouvrez la soupape de vidange pour décompresser les réservoirs et laissez l'eau s'écouler, et laissez le compresseur d'air refroidir au toucher avant l'entretien. Tournez le bouton du régulateur de pression à fond dans le sens antihoraire après l'arrêt du compresseur d'air.

## DÉBALLAGE

- Cet outil a été expédié complètement assemblé.
- Retirez délicatement l'outil et tout accessoires de la boîte.
- Inspectez soigneusement l'outil pour vous assurer qu'aucune rupture ou dommage ne s'est produit pendant le transport.
- Ne jetez pas le matériel d'emballage avant d'avoir soigneusement inspecté et utilisé l'outil de manière satisfaisante.
- Si des pièces sont endommagées ou manquantes, veuillez appeler le 1-888-669-5672.

## CARACTÉRISTIQUES

- Puissance de la batterie au lithium-ion de 20
- V max
- Alimentation portable et sans fil
- Jauges faciles à lire
- Pieds en caoutchouc durable
- Soupapes de sécurité et de vidange à bille

## SPÉCIFICATIONS

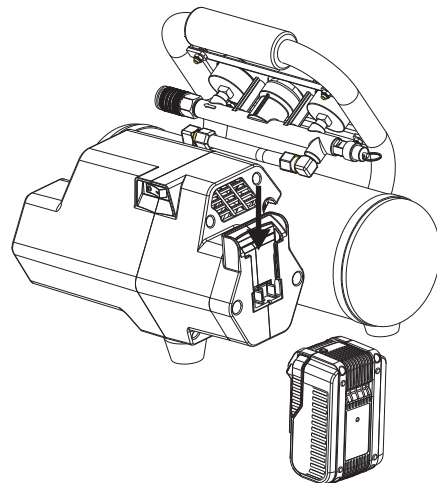
Réservoir	3,7 litres
Tension	20V Max
Pression max	120 psi (827 Kpa)
Poids	14 lbs (6.40 kg)
Livraison par air	(0.02m3/min @ 276 Kpa) (0.01m3/min @ 620 Kpa)

## UTILISATION

### INSTALLATION / RETRAIT BATTERIE

Pour de meilleures performances, installez une batterie complètement chargée avant de commencer à utiliser.

1. Assurez-vous que le compresseur d'air est éteint.
2. Insérez la batterie et assurez-vous que le loquet de la batterie s'enclenche et que la batterie est fixée à l'outil.
3. Pour le retirer, appuyez sur le loquet et retirez la batterie.



## CONNEXION / DÉCONNEXION LE TUYAU D'AIR

Pour connecter un tuyau d'air:

1. Assurez-vous que le compresseur d'air est éteint et que les batteries ne sont pas installées.
2. Tournez complètement le bouton du régulateur de pression dans le sens antihoraire pour que la pression de sortie soit à zéro (0) PSI.
3. Attachez le tuyau avec raccord d'air à connexion rapide au raccord rapide de 1/4 po du compresseur d'air. Assurez-vous de pousser l'extrémité de l'adaptateur de tuyau à fond dans le coupleur jusqu'à ce que le manchon saute vers l'avant pour le verrouiller en place.
4. Confirmez que la pression de sortie est à zéro (0) PSI.
5. Lorsque vous débranchez un tuyau du raccord rapide de 1/4 po, tenez toujours fermement l'extrémité de libération du tuyau.
6. Tirez sur le manchon de déverrouillage du raccord rapide de 1/4 po.
7. Avec une prise ferme, retirez le raccord pneumatique à connexion rapide qui est fixé au raccord rapide.

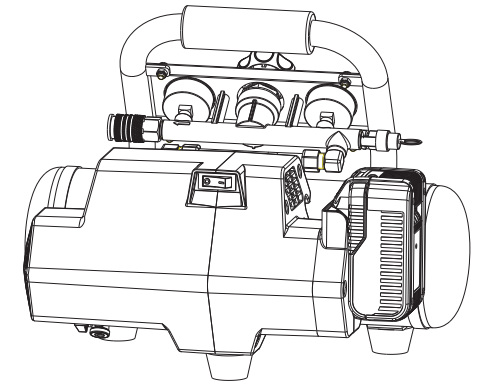
## PÉRIODE DE RODAGE

Avant la première utilisation, installez la batterie 4,0 Ah complètement chargée. Faites fonctionner le compresseur d'air à la pression zéro du réservoir avec la vanne de vidange complètement ouverte pendant 30 minutes ou jusqu'à ce que la batterie soit complètement déchargée, selon la première éventualité.

## ALLUMÉ / ÉTEINT

1. Installez la batterie.
2. Déplacez l'interrupteur ON / OFF en position ON pour alimenter le compresseur.
3. Pour éteindre le compresseur d'air, placez l'interrupteur ON / OFF en position OFF.

REMARQUE: Lorsque le compresseur est en position ON, le compresseur d'air se rallume automatiquement lorsque la pression d'air du réservoir désignée tombe en dessous de la limite de pression prédéfinie. Il s'éteindra également lorsque la pression de coupure sera atteinte.



## UTILISATION DU COMPRESSEUR D'AIR

1. Assurez-vous que l'interrupteur ON / OFF est en position OFF et que les batteries ne sont pas installées.
2. Fixez le flexible d'air en suivant les instructions de la section Connexion / déconnexion du flexible d'air (flexible non fourni).
3. Fixez un raccord d'air à connexion rapide 1/4 po NPT à l'accessoire ou à l'outil que vous prévoyez d'utiliser. Insérez l'autre extrémité du raccord d'air à connexion rapide dans le raccord rapide à l'extrémité ouverte du tuyau.
4. Installez les batteries.
5. Déplacez l'interrupteur ON / OFF en position ON.
6. Réglez la quantité de pression d'air souhaitée à l'aide du bouton du régulateur de pression. Tirez le bouton vers l'extérieur, puis tournez dans le sens horaire pour augmenter ou dans le sens antihoraire pour diminuer la pression d'air à travers le tuyau. Lorsque la pression souhaitée est réglée, repoussez le bouton pour verrouiller.
7. Une fois terminé, videz toujours le réservoir, éteignez l'appareil et retirez les batteries. Ne laissez jamais l'appareil allumé et / ou en marche sans surveillance.



REMARQUE: Utilisez toujours la pression minimale nécessaire à votre application. L'utilisation d'une pression plus élevée que nécessaire drainera l'air du réservoir plus rapidement, fera fonctionner l'appareil plus fréquemment et réduira le temps de fonctionnement de la batterie entre les charges. En suivant toutes les précautions de sécurité dans ce manuel et les instructions du fabricant dans le manuel de l'outil pneumatique, vous pouvez maintenant utiliser votre outil pneumatique.

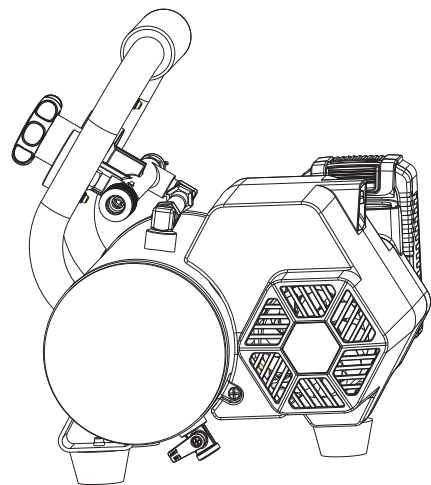
### VIDANGE DU RÉSERVOIR

Pour aider à prévenir la corrosion du réservoir et à empêcher l'humidité de l'air utilisé, le réservoir d'air du compresseur doit être vidangé quotidiennement.

Pour drainer:

1. Éteignez le compresseur d'air et retirez les batteries.
2. Tirez l'anneau sur la soupape de sécurité pour libérer l'air jusqu'à ce que le manomètre du réservoir indique moins de 20 psi.
3. Relâchez l'anneau.
4. Tournez les vannes de vidange de 90 ° dans le sens antihoraire en position ON (ouverte).
5. Inclinez le réservoir pour évacuer l'humidité du réservoir dans un récipient approprié.
6. Si une vanne de vidange est obstruée, relâchez toute la pression d'air, retirez et nettoyez la vanne, puis réinstallez.
7. Tournez les robinets de vidange de 90 ° dans le sens des aiguilles d'une montre en position OFF (fermée).

REMARQUE: Le condensat est un matériau polluant et doit être éliminé conformément aux réglementations locales.



### VERIFICATION DE LA SOUPAPE DE SECURITE

**⚠ AVERTISSEMENT:**  
N'essayez pas d'altérer la soupape de sécurité. Tout ce qui s'est détaché de cet appareil pourrait voler et vous frapper. Le non-respect de cet avertissement peut entraîner la mort ou des blessures graves.

1. Installez les batteries.
2. Allumez le compresseur d'air et laissez le réservoir se remplir. Le compresseur s'arrête lorsque la pression atteint la pression de coupure.
3. Arrêtez le compresseur d'air.
4. Tirez l'anneau sur la soupape de sécurité pour libérer l'air pendant trois à cinq secondes pour permettre à l'air sous pression de s'échapper. Relâchez l'anneau. La soupape de sûreté doit se réinitialiser et maintenir la pression avant que tout l'air comprimé ne soit évacué du réservoir / récipient sous pression.
5. Toute perte d'air continue après avoir effectué les étapes ci-dessus indique un problème avec la soupape de sécurité. Cesser l'utilisation et demander une réparation avant de continuer à utiliser le compresseur d'air.

## ENTRETIEN

### L'ENTRETIEN GÉNÉRAL

Évitez d'utiliser des solvants lors du nettoyage des pièces en plastique. La plupart des plastiques sont susceptibles d'être endommagés par divers types de solvants commerciaux et peuvent être endommagés par leur utilisation. Utilisez un chiffon propre pour enlever la saleté, la poussière, l'huile, la graisse, etc.

**⚠ AVERTISSEMENT:**  
Retirez la batterie de l'outil pour toute inspection, maintenance et nettoyage.

**⚠ AVERTISSEMENT:**  
Si de l'air fuit après que l'anneau a été libéré ou si la vanne est bloquée et ne peut pas être actionnée par l'anneau, n'utilisez pas le compresseur d'air tant que la soupape de sécurité n'a pas été remplacée. L'utilisation du compresseur d'air dans ces conditions peut entraîner des blessures graves.

### CHARGEMENT DE LA BATTERIE

1. Pour charger la batterie, alignez la fente de la batterie avec la fente du chargeur et faites-la glisser en place.
2. Le voyant de la batterie doit passer du vert au rouge lorsque la batterie est en charge.
3. Lorsque le voyant lumineux est devenu vert, la batterie doit être complètement chargée.

**⚠ AVERTISSEMENT:**  
Laissez la batterie refroidir avant de la charger si la batterie est chaude après une utilisation continue.

### BATTERIE

Toutes les batteries s'usent avec le temps en raison de l'usure normale. N'essayez pas de démonter et de réparer la batterie, car cela pourrait provoquer de graves brûlures, en particulier lorsque vous portez des bagues et des bijoux. Pour une durée de vie de la batterie la plus longue possible, nous proposons ce qui suit:

- Retirez la batterie du chargeur une fois complètement chargée.
- Conservez la batterie à l'abri de l'humidité et à une température inférieure à 80 ° F.
- Stockez la batterie avec une charge d'au moins 30% - 50%.
- Si une batterie a été stockée pendant six mois ou plus, chargez-la normalement.

### REPLACEMENT DU FILTRE À AIR

1. Saisissez les languettes du couvercle du filtre à air et retirez-les du boîtier.
2. Retirez le filtre à air.
3. Installez un nouveau filtre à air.
4. Replacez le couvercle du filtre à air en le poussant dans le boîtier jusqu'à ce qu'il s'enclenche.

### STOCKAGE DU COMPRESSEUR D'AIR

1. Placez l'interrupteur ON / OFF en position d'arrêt.
2. Retirez les batteries.
3. Débranchez le flexible d'air et l'outil pneumatique du compresseur.
4. Vidangez les réservoirs d'air conformément aux instructions.
5. Nettoyez soigneusement le compresseur d'air et tous les accessoires.

## DÉPANNAGE

PROBLÈME	CAUSE	SOLUTION
Le compresseur ne fonctionnera pas	Les batteries ne sont pas chargées	Rechargez les deux batteries
	Le pressostat est mauvais	Amenez le compresseur au centre de service
	Le réservoir est plein d'air	Le compresseur s'arrêtera lorsque le réservoir chute de pression à la pression de déclenchement
	L'interrupteur de surcharge interne est déclenché	Éteignez le compresseur et laissez le unité à refroidir; supprimer et réinstaller le batteries
Le moteur ronfle mais ne peut pas fonctionner, ou s'exécute lentement	Bobinage moteur court ou ouvert	Amenez le compresseur au centre de service
	Clapet anti-retour ou déchargeur défectueux	Amenez le compresseur au centre de service
Surcharge interne changer de voyage à plusieurs reprises	Absence de ventilation adéquate / température ambiante trop haut	Déplacer le compresseur dans un endroit aéré
	Surcharge électrique	Éteignez l'appareil et laissez-le refroidir. Retirer et installer des batteries
Pression du réservoir d'air tombe quand le compresseur s'arrête	Connexions lâches (raccords, tubes, etc.)	Nettoyez toutes les connexions avec de l'eau chaude
	Soupape de vidange desserrée / soupape de vidange ouverte	Serrer / fermer la soupape de vidange
	Clapet anti-retour qui fuit	Amenez le compresseur au centre de service  <b>⚠ AVERTISSEMENT:</b> Ne démontez pas le clapet anti-retour, les vannes de vidange du réservoir ou la soupape de sécurité avec de l'air dans le réservoir.
Humidité excessive dans l'air évacué	Excès d'eau dans le réservoir d'air	Réservoir de vidange
	Humidité élevée	Déplacez-vous dans une zone moins humide; utiliser de l'air filtre de ligne
Le compresseur fonctionne en continu	Pressostat défectueux	Amenez le compresseur au centre de service
	Utilisation excessive d'air	Diminuez l'utilisation d'air; compresseur pas assez grand pour les besoins en outils
	Les segments de piston sont usés	Remplacer les segments de piston; Appeler le client service d'assistance
La sortie d'air est plus faible que la normale	Soupapes d'admission cassées	Amenez le compresseur au centre de service
	Les connexions fuient	Resserrer les connexions

## GARANTIE

### GARANTIES DES PRODUITS PGP INC.

#### Garantie de 1 An Pour Outil Professionnel

La garantie limitée pour outil Freeman s'applique exclusivement à l'acheteur original du produit Freeman, commence à la date d'achat et exclut les pièces susceptibles de s'user. Pendant la période de garantie, Prime Global Products, Inc. (PGP) garantit expressément que le produit Freeman est exempt de défaut de matériaux et de fabrication, sous réserve des exceptions et limitations contenues dans les présentes. PGP pourra à son gré, réparer, remplacer, ou offrir un remboursement complet pour un produit Freeman présentant un défaut de matériaux ou de fabrication.

UN REÇU D'ACHAT DATÉ OU UNE PREUVE D'ACHAT DE L'ACHETEUR AU DÉTAIL ORIGINAL EST REQUIS POUR FAIRE UNE RÉCLAMATION DE GARANTIE. L'enregistrement de la garantie est également nécessaire et peut être fait par notre enregistrement de produits en ligne au [www.freemantools.com](http://www.freemantools.com). Sélectionnez l'onglet SOUTIEN, sélectionnez l'onglet ENREGISTREMENT DU PRODUIT. Pour procéder à une réclamation de garantie, l'acheteur original doit retourner clés à chocs Freeman, port payé et assuré, avec preuve d'achat à PGP ou l'un de ses centres de service autorisés. Pour toute question, veuillez composer le 1-888-669-5672. Aucuns frais, autres que les frais de poste et d'assurance, ne seront exigés pour les réparations couvertes par cette

#### Exclusions de la garantie.

Ces garanties ne sont pas applicables lorsque:

- Des réparations ou modifications ont été apportées, ou tentées, par un tiers, et/ou une utilisation de pièces ou d'accessoires non autorisés ou non conformes à eu lieu. Des réparations sont nécessaires en raison de l'usure normale.
- La outil pneumatique a fait l'objet d'abus, a été utilisée de façon non appropriée, incorrectement entretenue ou maniée, incluant: l'incapacité à utiliser de l'air comprimé qui soit propre, sec et régulé à la pression recommandée; les accidents causés par l'utilisation du produit après une défaillance partielle.
- Le produit Freeman est utilisé à des fins commerciales pour les chaînes de montage ou les lignes de production. Le produit Freeman est destiné à un usage personnel et ces garanties ne couvrent pas de telles utilisations commerciales.

AUCUNE GARANTIE, VERBALE OU ÉCRITE, EXPLICITE OU IMPLICITE, AUTRE QUE LES GARANTIES INDIQUÉES CI-DESSUS N'EST FAITE EN CE QUI CONCERNE CE PRODUIT FREEMAN. TOUTE GARANTIE IMPLICITE SERA LIMITÉE À LA PÉRIODE DE GARANTIE DÉFINIE CI-DESSUS. CERTAINES JURIDICTIONS NE PERMETTENT PAS LA LIMITATION DE LA DURÉE D'UNE GARANTIE IMPLICITE, AUQUEL CAS LES CLAUSES CI-DESSUS NE VOUS CONCERNENT PEUT-ÊTRE PAS. VOS RECOURS SONT UNIQUEMENT ET EXCLUSIVEMENT COMME INDIQUÉS CI-DESSUS. PGP NE SERA EN AUCUN CAS RESPONSABLE DES DOMMAGES DIRECTS, INDIRECTS, CONSÉCUTIFS OU ACCESSOIRES. CERTAINES JURIDICTIONS NE PERMETTANT PAS L'EXCLUSION OU LA LIMITATION DES DOMMAGES DIRECTS OU INDIRECTS, CES LIMITATIONS OU EXCLUSIONS PEUVENT NE PAS S'APPLIQUER À VOUS. EN AUCUN CAS, QUE CE SOIT EN RAISON D'UNE RUPTURE DE CONTRAT, LA VIOLATION D'UNE GARANTIE, UN DÉLIT CIVIL (Y COMPRIS LA NÉGLIGENCE) OU AUTRE, LA RESPONSABILITÉ DE PGP NE DEVRA EXCÉDER LE PRIX DU PRODUIT CONCERNÉ PAR LA RÉCLAMATION OU LA RESPONSABILITÉ. TOUTE RESPONSABILITÉ RELIÉE À L'UTILISATION DE CE PRODUIT SE TERMINE À L'EXPIRATION DE LA PÉRIODE DE GARANTIE SPÉCIFIÉE CI-DESSUS. AUCUN EMPLOYÉ OU REPRÉSENTANT DE PGP, OU TOUT DISTRIBUTEUR OU REVENDEUR N'EST AUTORISÉ À PROCÉDER À TOUT CHANGEMENT OU MODIFICATION DE LA PRÉSENTE GARANTIE.

Ces garanties vous accordent des droits légaux spécifiques. Vous pouvez également avoir d'autres droits qui varient d'une juridiction à l'autre.